



Color Variants

AC200161
Stainless steel and glass
Width 52 cm

AC200161
Canopy extractor 200 series
Stainless steel and glass
Width 52 cm
Air extraction / Air recirculation



Can be integrated invisibly in upper cabinet
Energy-saving, low-noise fan
Rim extraction with flat and easy-to-clean glass underside
Dimmable, neutral white LED light for ideal illumination of the whole cooktop
Air extraction or air recirculation system
Energy efficiency class A++

Output

Performance and noise output levels:
Air output according to EN 61591.
Sound power level according to EN 60704-3.
Air extraction (min/max) according to EN 61591: 210 / 730 m³/h.
Noise (min/max): 44 / 70 dB (A) re 1 pW.
Air recirculation (min/max) according to EN 61591:
530 / 690 m³/h.
72 / 77 dB (A) re 1 pW.
Odour reduction air recirculation 92 %.

Features

3 electronically controlled power levels and 1 intensive mode.
Remote control is available as a special accessory.
Interval ventilation, 6 min.
Run-on function, 6 min.
Grease filter saturation indicator.
Metal grease filter, dishwasher-safe.
Glas filter cover.
Neutral white LED light (4000 K), dimmable.
Lamp output 2 x LED spot 1W.
Illuminance 244 lx.
Fan technology with highly efficient, brushless DC motor (BLDC).

Consumption data

Energy consumption 29.6 kWh/year.
Sound level min/max (intensive) according to EN 61591: 44 / 70 dB(A)

Planning notes

Patented air recirculation module with activated charcoal filter can be installed in the upper cabinet. The activated carbon filter can be changed from the front by simply pulling out the filter drawer.
The door of the upper cabinet must be fully open in order to change the activated charcoal filter.
Can be integrated invisibly in upper cabinet.
Vario cooktops with intensive production of vapours like VR/VP/VF should be placed in the middle beneath the hood (in this case air recirculation is not recommended).
Clearance above gas appliances min. 65 cm (more than total load gas 12 kW min. 70 cm).
Clearance above electric appliances min. 50 cm.
When installing a ventilation hood with air extraction mode and a chimney-vented fireplace, the power supply line of the ventilation appliance needs a suitable safety switch.

Connection

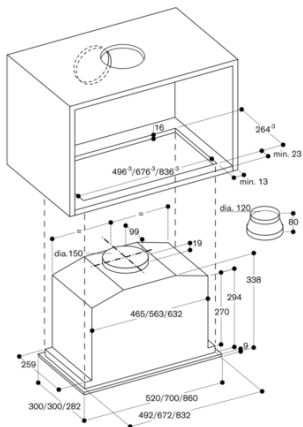
Total connected load 172 W.
Connecting cable 1.0 m with plug.

Characteristics

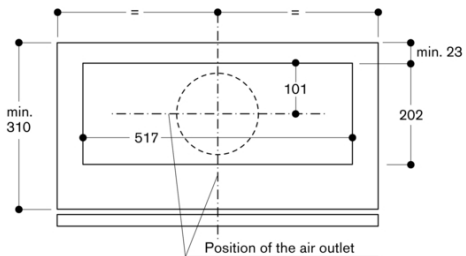
Product name/family
Color chimney
Typology
Traditional
Approval certificates
CE, Eurasian, G-Mark, Ukraine
Length electrical supply cord
100
Required niche size for installation (HxWxD)
418mm x 496.0mm x 264mm
Height of the chimney
Height of product, without chimney
Minimum distance above an electric hob
500
Minimum distance above a gas hob
650
Net weight
8.397
Type of control
Electronic
Number of speed settings
Maximum output air extraction
540
Boost position output recirculating
690.0
Maximum output recirculating air
530
Boost position air extraction
730
Number of lights
2
Noise level
64
Diameter of air outlet
120 / 150
Grease filter material
Washable aluminium
EAN code
4242006285500
Connection Rating
172
Fuse protection
3
Voltage
220-240
Frequency
50
Plug type
Gardy plug w/ earthing
Installation typology
Built-in

Consumption and connection features

2021-10-03
Page 1



View of upper cabinet from above with AC 200 and AA 211 812



Cross-section of upper cabinet with AC 200 and AA 211 812

