

AC200181
Canopy extractor 200 series
Stainless steel and glass
Width 70 cm
Air extraction / Air recirculation



Can be integrated invisibly in upper cabinet
Energy-saving, low-noise fan
Rim extraction with flat and easy-to-clean glass underside
Dimmable, neutral white LED light for ideal illumination of the whole cooktop
Air extraction or air recirculation system
Energy efficiency class A++

Output

Odour reduction air recirculation 93 %.

Features

3 electronically controlled power levels and 1 intensive mode.
Remote control is available as a special accessory.
Interval ventilation, 6 min.
Run-on function, 6 min.
Grease filter saturation indicator.
Metal grease filter, dishwasher-safe.
Glass filter cover.
Neutral white LED light (4000 K), dimmable.
Lamp output 2 x LED spot 1W.
Illuminance 244 lx.
Fan technology with highly efficient, brushless DC motor (BLDC).

Consumption data

Energy consumption 30.3 kWh/year.
Ventilation efficiency class A.
Illumination efficiency class A.
Grease filter efficiency class D.
Sound level min/max (intensive) according to EN 61591: 46 / 70 dB(A)

Planning notes

Patented air recirculation module with activated charcoal filter can be installed in the upper cabinet. The activated carbon filter can be changed from the front by simply pulling out the filter drawer.
The door of the upper cabinet must be fully open in order to change the activated charcoal filter.
Can be integrated invisibly in upper cabinet.
Vario cooktops with intensive production of vapours like VR/VP/VF should be placed in the middle beneath the hood (in this case air recirculation is not recommended).
Clearance above gas appliances min. 65 cm (more than total load gas 12 kW min. 70 cm).
Clearance above electric appliances min. 50 cm.
When installing a ventilation hood with air extraction mode and a chimney-vented fireplace, the power supply line of the ventilation appliance needs a suitable safety switch.

Connection

Total connected load 172 W.
Connecting cable 1.0 m with plug.

Characteristics

Product name/family
Color chimney

Typology
Traditional

Approval certificates
Australia Standards, CE, Eurasian, G-Mark, Ukraine, VDE

Length electrical supply cord
100

Required niche size for installation (HxWxD)
418mm x 676.0mm x 264mm

Height of the chimney

Height of product, without chimney
Minimum distance above an electric hob
500

Minimum distance above a gas hob
650

Net weight
9.160

Type of control
Electronic

Number of speed settings

Maximum output air extraction
575

Boost position output recirculating
740.0

Maximum output recirculating air
540

Boost position air extraction
775

Number of lights
2

Noise level
64

Diameter of air outlet
120 / 150

Grease filter material
Washable aluminium

EAN code
4242006284794

Connection Rating
172

Fuse protection
3

Voltage
220-240

Frequency
50

Plug type
Gardy plug w/ earthing

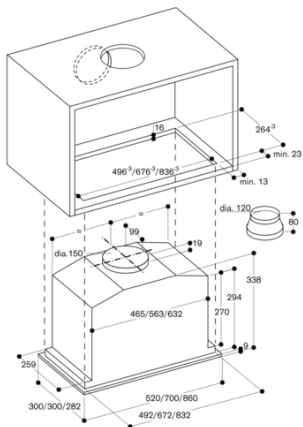
Installation typology
Built-in

Consumption and connection features

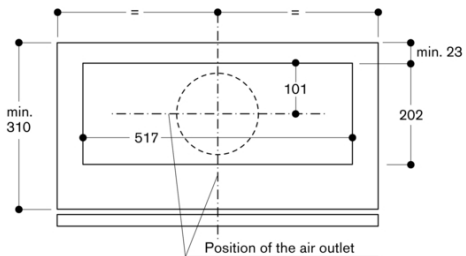
2021-10-03
Page 1

Color Variants

AC200181
Stainless steel and glass
Width 70 cm



View of upper cabinet from above with AC 200 and AA 211 812



Cross-section of upper cabinet with AC 200 and AA 211 812

