



AL400191
Table ventilation 400 series
stainless steel
Width 90 cm
Air extraction / Air recirculation
Motorless



Extendable table ventilation, when not in use can be completely lowered into the worktop

Can be combined perfectly with other Vario appliances of the 400 series
Dimmable, neutral white surface LED light for ideal illumination of the whole cooktop

Precision crafting of 3 mm stainless steel

For surface mounting with a visible edge or for flush mounting
Motorless, can be combined with Gaggenau BLDC remote fan units

Output

Power levels depend on the remote fan unit.

Features

3 electronically controlled power levels and 1 intensive mode.

Interval ventilation, 6 min.

Run-on function, 6 min.

Grease filter saturation indicator.

Cartridge-type filter, dishwasher-safe.

Neutral white surface LED light (3600 K), continuously dimmable.

Lamp output 4 x LED 6medium power 5W stripe.

Illuminance 191 lx.

Spare covers for closing air outlets.

No connecting piece included.

Consumption data

Consumption data is referred to a configuration with the remote fan unit AR 400 142.

Energy consumption 45.5 kWh/year.

Ventilation efficiency class A.

Illumination efficiency class E.

Grease filter efficiency class C.

Sound level min/max (intensive) according to EN 61591: 45 / 67 dB(A)

Planning notes

Matching remote fan units for air recirculation or air extraction mode.

Secure the control unit to the side panel of the cabinet, not to the base of the cabinet or the kitchen floor.

Connection to the respective appliances via network cable.

Operation of Vario cooking appliances only possible without appliance cover.

Max. output of cooktops 18 kW.

Installation is possible in worktops made of stone, synthetics or solid wood. Heat resistance and watertight sealing of the cut edges must be observed. Concerning other materials please consult the worktop manufacturer.

The remaining surface of the worktop (min. 50 mm) between the cut-outs must be reinforced with a support. It is recommended to use furniture support AA 409 401/431.

Ovens that do not exceed the maximum allowed cabinet temperature can be combined with the table ventilation if built-in situation permits.

To avoid smoke when frying/grilling refer to the manuals of VR/VP.

When installing a ventilation hood with air extraction mode and a chimney-vented fireplace, the power supply line of the ventilation appliance needs a suitable safety switch.

Connection

Total connected load 65 W.

Characteristics

Product name/family
Color chimney
Typology
Downdraft
Approval certificates
Australia Standards, CE, Eurasian, G-Mark, VDE
Length electrical supply cord
170
Required niche size for installation (HxWxD)
540mm x 840.0mm x 122mm
Height of the chimney
Height of product, without chimney
540
Minimum distance above an electric hob
Minimum distance above a gas hob
Net weight
34.389
Type of control
Electronic
Number of speed settings
Maximum output air extraction
600
Boost position output recirculating
Maximum output recirculating air
530
Boost position air extraction
Number of lights
4
Noise level
61
Diameter of air outlet
Grease filter material
Washable stainless steel
EAN code
4242006240578
Connection Rating
65
Fuse protection
10
Voltage
230
Frequency
60; 50
Plug type
CH plug w/ earthing, Gardy plug w/ earthing, GB plug
Installation typology
Built-in

Consumption and connection features

2021-10-20

Page 1

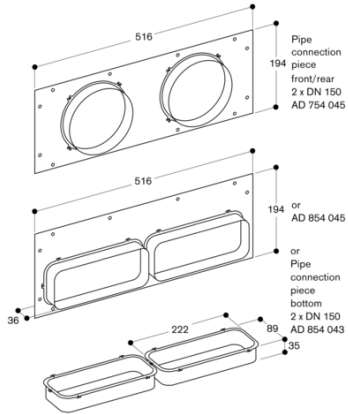
Network cable 1.2 m.

Color Variants

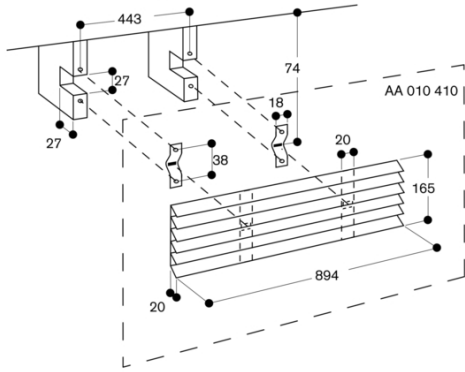
AL400191
stainless steel
Width 90 cm

AL400191
 Table ventilation 400 series
 stainless steel
 Width 90 cm
 Air extraction / Air recirculation
 Motorless
 2021-10-20
 Page 2

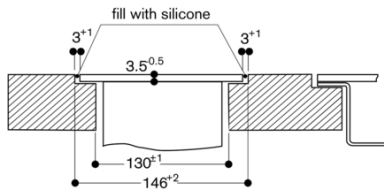
AD 754/854 045 and AD 854 043



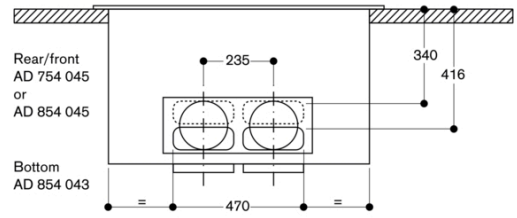
AA 010 410 air exhaust grille



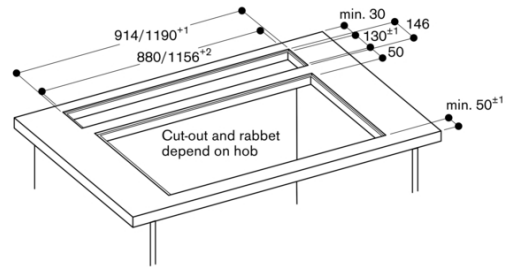
Cross-section



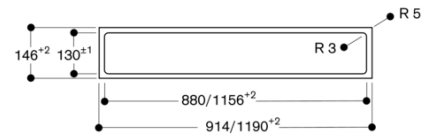
AL 400 connection positions DN 150



AL 400 installed flush

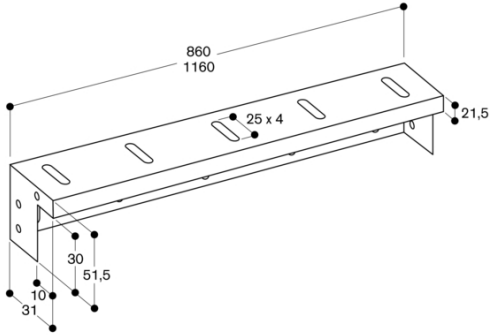


AL 400 cut-out flush-mounted

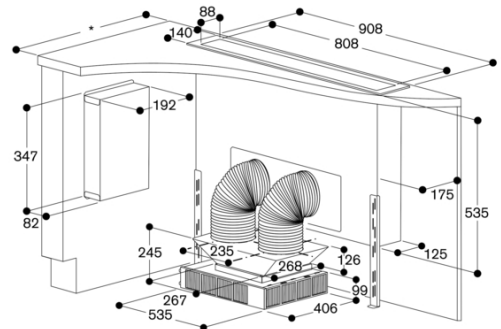
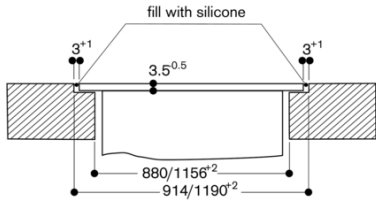


AL400191
 Table ventilation 400 series
 stainless steel
 Width 90 cm
 Air extraction / Air recirculation
 Motorless
 2021-10-20
 Page 3

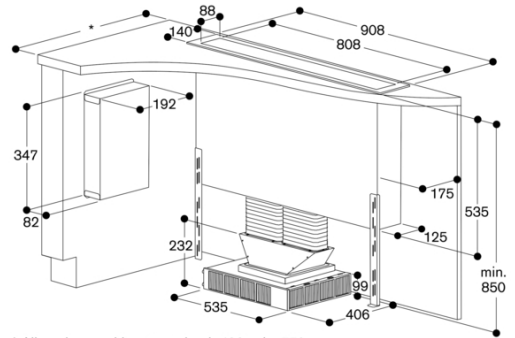
AA 409 401/431 furniture support



Longitudinal section

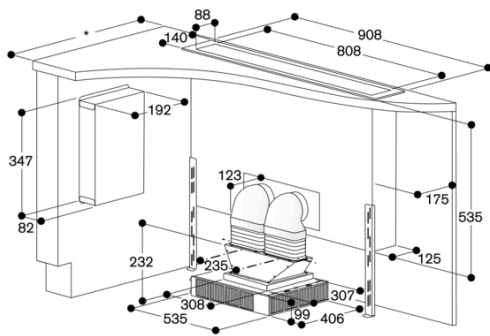
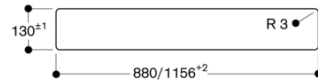


* All cooktops with cut-out depth 492: min. 750



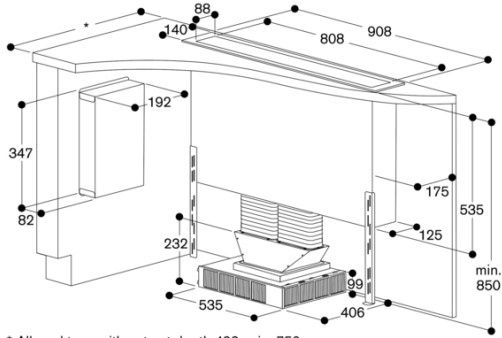
* All cooktops with cut-out depth 492: min. 750

AL 400 cut-out for surface mounting

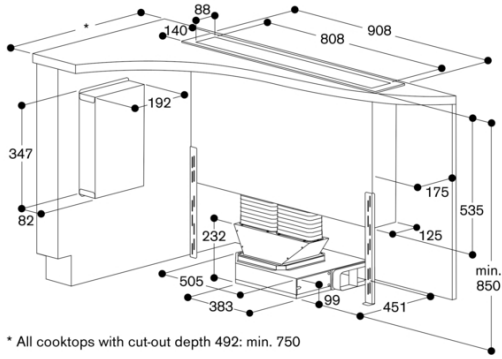


* All cooktops with cut-out depth 492: min. 750

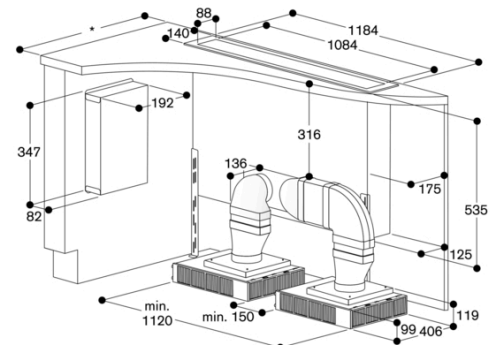
AL400191
 Table ventilation 400 series
 stainless steel
 Width 90 cm
 Air extraction / Air recirculation
 Motorless
 2021-10-20
 Page 4



* All cooktops with cut-out depth 492: min. 750

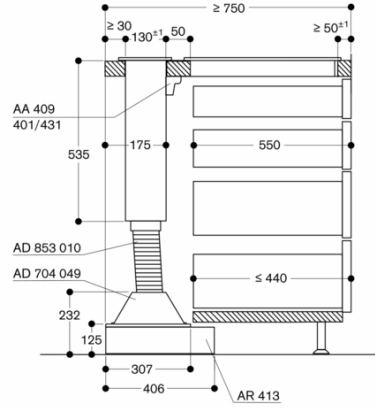


* All cooktops with cut-out depth 492: min. 750

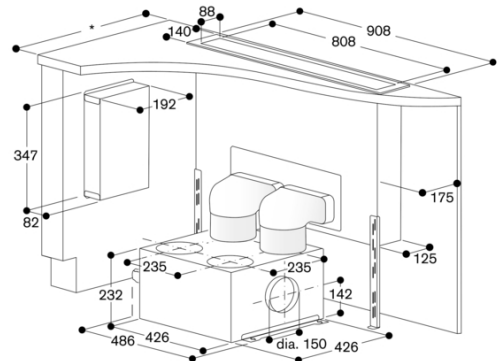


* All cooktops with cut-out depth 492: min. 750

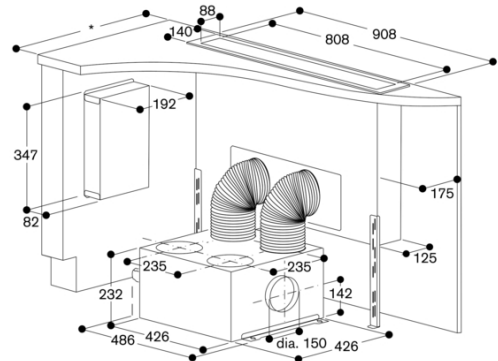
Cross-section of upper cabinet for AL 400 (without back wall) with AR 413; connection at the bottom



measurements in mm

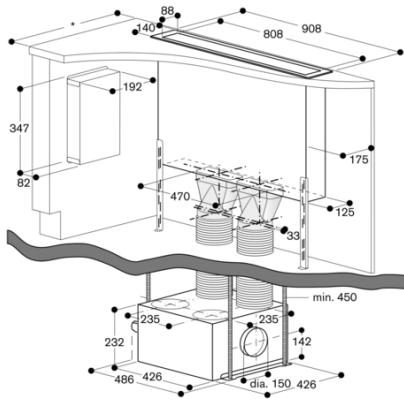


* All cooktops with cut-out depth 492: min. 750

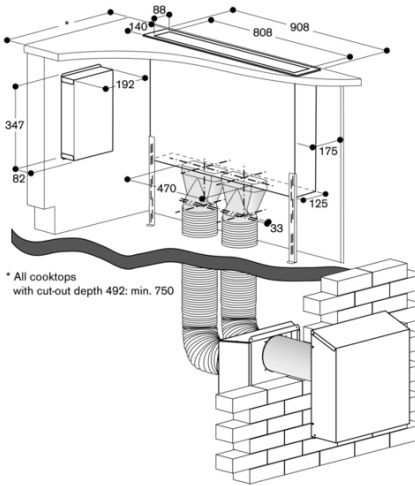


* All cooktops with cut-out depth 492: min. 750

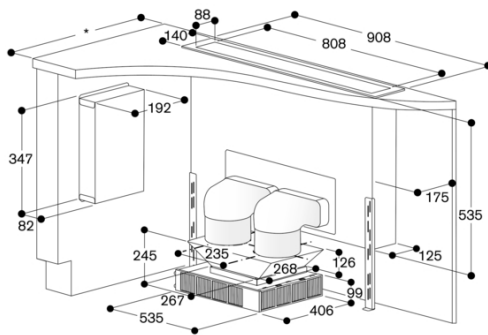
AL400191
 Table ventilation 400 series
 stainless steel
 Width 90 cm
 Air extraction / Air recirculation
 Motorless
 2021-10-20
 Page 5



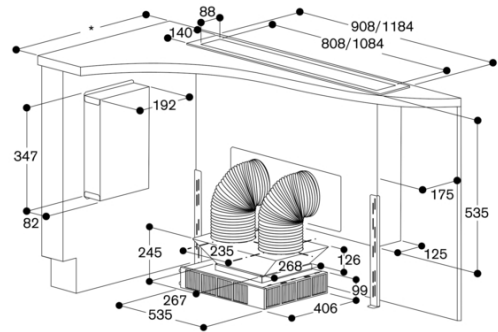
* All cooktops with cut-out depth 492: min. 750



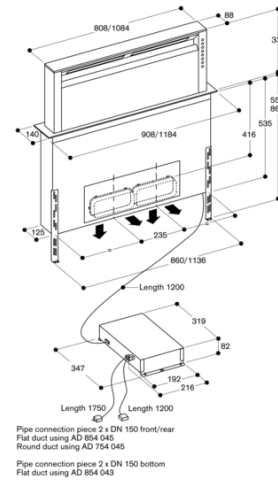
* All cooktops with cut-out depth 492: min. 750



* All cooktops with cut-out depth 492: min. 750



* All cooktops with cut-out depth 492: min. 750



Pipe connection piece 2 x DN 150 front/rear
 Flat duct using AD 854 045
 Round duct using AD 754 045
 Pipe connection piece 2 x DN 150 bottom
 Flat duct using AD 854 045