



AW240191
Wall-mounted hood 200 series
Stainless steel with glass control panel
Gaggenau Anthracite
Width 90 cm
Air extraction / Air recirculation



Stainless steel hood with glass cover
Highly efficient vapour collection by recessed filters
Energy-saving, low-noise fan
Perforated sheet metal filter with high grease absorption
Function for automatic, sensor-controlled power adjustment depending on the build-up of cooking vapours
Dimmable, neutral white LED light for ideal illumination of the whole cooktop
Air extraction or air recirculation system
Mounting kit and chimney included

Output

Odour reduction air recirculation 79 %.

Features

3 electronically controlled power levels and 1 intensive mode.
Automatic function with sensor-controlled run-on function.
Grease filter saturation indicator.
Activated charcoal filter saturation indicator.
Perforated sheet metal filter, dishwasher-safe.
Interval ventilation, 6 min.
Cooktop-based ventilation control (with suitable cooktop).
Neutral white LED light (3500 K), continuously dimmable.
Light colour in different white tones (2700 - 5000 K) can be adjusted via Home Connect.
Fan technology with highly efficient, brushless DC motor (BLDC).
Integrated sound insulation for quiet operation.
Airflow-optimised vapour collection area with slightly inward facing filters.
The package includes an one-way flap.
Easy mounting system for simple installation and alignment.
Home network integration for digital services (Home Connect) wireless via WiFi.
The use of the Home Connect functionality depends on the Home Connect services, which are not available in every country. For further information please check: home-connect.com.

Consumption data

Energy consumption 44.5 kWh/year.
Air extraction (min/max) according to EN 61591: 275 / 970 m³/h.
Noise (min/max): 44 / 73 dB (A) re 1 pW.
Air recirculation (min/max) according to EN 61591:
383 / 476 m³/h.
69 / 74 dB (A) re 1 pW.

Planning notes

The package includes the two-part chimney with the dimensions from 572 mm to 874 mm. Individual planning solutions can be implemented using the special accessory chimney extension AD 200 322 or by shortening the lower edge of the inner chimney.
Clearance above gas appliances min. 65 cm (more than total load gas 12 kW min. 70 cm).
Clearance above electric appliances min. 55 cm.

Characteristics

Product name/family
Color chimney
Typology
Wall-mounted
Approval certificates
CE, E17D UKCA marking, Eurasian, G-Mark, Ukraine, VDE
Length electrical supply cord
130
Required niche size for installation (HxWxD)
Height of the chimney
572-874/738-1072
Height of product, without chimney
80
Minimum distance above an electric hob
550
Minimum distance above a gas hob
650
Net weight
20.723
Type of control
Electronic
Number of speed settings
Maximum output air extraction
618
Boost position output recirculating
561
Maximum output recirculating air
462
Boost position air extraction
970
Number of lights
3
Noise level
64
Diameter of air outlet
120 / 150
Grease filter material
Washable stainless steel
EAN code
4242006281069
Connection Rating
269
Fuse protection
10
Voltage
220-240
Frequency
60; 50
Plug type
Gardy plug w/ earthing
Installation typology
Wall-mounted

Consumption and connection features

2021-10-13
Page 1

Color Variants

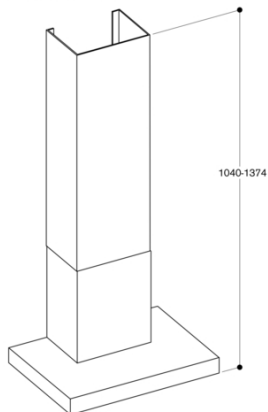
AW240191
Stainless steel with glass control panel
Gaggenau Anthracite
Width 90 cm

The air recirculation module with activated charcoal filter can be installed on the inner chimney.
When installing a ventilation hood with air extraction mode and a chimney-vented fireplace, the power supply line of the ventilation appliance needs a suitable safety switch.
For air recirculation an external filter module is required.

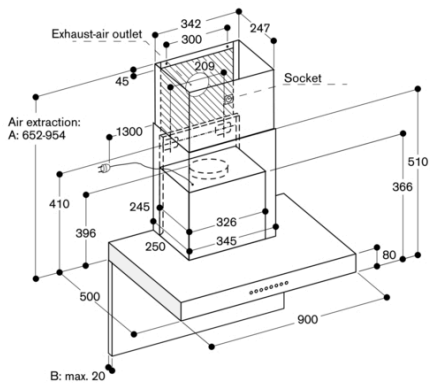
Connection

Total connected load 269 W.
Connecting cable 1.3 m with plug.

AW 240 with AD 200 322

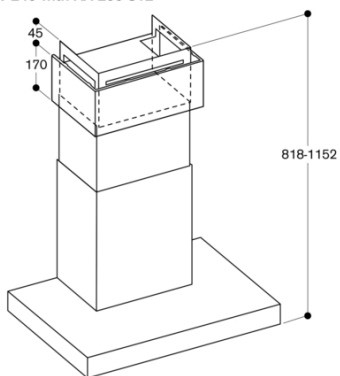


* Suitable for ceiling heights from 2.64 m to 2.97 m;
 Specifications refer to the distance of 1.60 m from the floor
 to the lower edge of the hood.



A: Suitable for ceiling heights from 2.25 m to 2.55 m;
 Specifications refer to the distance of 1.60 m from the floor
 to the lower edge of the hood.
 B: Note the maximum thickness of the back panel.

AW 240 with AA 200 812



* Suitable for ceiling heights from 2.45 m to 2.75 m;
 Specifications refer to the distance of 1.60 m from the floor
 to the lower edge of the hood.