



**BM451100**  
**Combi-microwave oven 400 series**  
**Full glass door in Gaggenau Anthracite**  
**Width 60 cm**  
**Left-hinged**  
**Controls at the top**

**Handleless door / automatic door opening**  
**Single operation and combination of microwave, grill and oven**  
**Sequential operation of up to 5 modes incl. programming of combined operation and rest time**  
**TFT touch display**  
**Panel-free appliance with surface control module**  
**Electronic temperature control**  
**Interior volume 36 litres**

**Programmes**  
 Microwave operation with 5 output levels: 1000, 600, 360, 180, 90 W.  
 Oven operation with 4 heating methods: Hot air 40 °C and from 100 °C to 250 °C,  
 Full surface grill + hot air from 100 °C to 250 °C,  
 Full surface grill + circulated air from 100 °C to 250 °C,  
 Full surface grill with 3 levels of intensity, maximum output 2000 W.  
 Heating methods with microwave output levels 600, 360, 180 and 90 W freely combinable.  
 15 automatic programmes with weight indication, customisable:  
 4 defrosting programmes  
 4 cooking programmes  
 7 combination programmes  
 Option to save individual recipes.

**Handling**  
 Automatic door opening.  
 Rotary knob and TFT touch display operation.  
 Clear text display.  
 Information key with use indicators.  
 Side-opening door opens up to 180° angle.

**Features**  
 Innovave.  
 Rapid heating.  
 4 tray levels.  
 Actual temperature display.  
 60 W halogen light on the side.

**Safety**  
 Thermally insulated door with triple glazing.  
 Triple door lock.  
 Child lock.  
 Safety shut-off.  
 Cooled housing with temperature protection.

**Cleaning**  
 Hygienic stainless steel interior with glass ceramic base.  
 Interior back wall with catalytic coating.

**Planning notes**  
 Door hinge not reversible.  
 Plan the niche without back wall.  
 The door panel surface of the appliance extends 47 mm from the furniture cavity.  
 If the handle (optional accessory) is retrofitted, the outer edge of the door handle extends 94 mm from the furniture cavity.  
 Consider the overhang, incl. the door handle where applicable, when planning to open drawers next to the appliance.  
 When planning a corner solution, pay attention to the 110° door opening angle.

**Characteristics**  
**Type of micro-wave oven**  
 MW-Combi  
**Type of control**  
 Electronic  
**Color / Material Front**  
 Anthracite  
**Dimensions of the product (mm)**  
 455 x 590 x 582  
**Cavity dimensions (mm)**  
 236.0 x 445.0 x 348.0  
**Length electrical supply cord (cm)**  
 150  
**Net weight (kg)**  
 37.140  
**Gross weight (kg)**  
 42.6  
**EAN code**  
 4242006249557

**Consumption and connection features**  
**Maximum micro-wave power (W)**  
 1000  
**Power of the booster function (W)**  
 3100  
**Connection Rating (W)**  
 3100  
**Current (A)**  
 16  
**Voltage (V)**  
 220-240  
**Frequency (Hz)**  
 60; 50  
**Plug type**  
 fixed connection, no plug  
**2020-04-10**  
**Page 1**

The mains socket needs to be planned outside of the built-in niche.

**Connection**  
 Total connected load 3.1 kW.  
 Connection cable 1.5 m without plug.

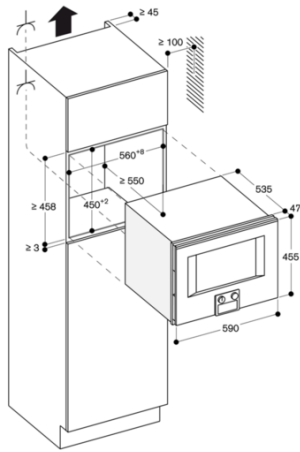
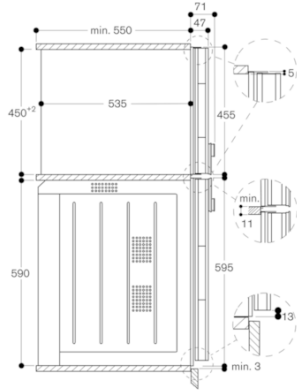
**Color Variants**  
**BM451100**  
**Full glass door in Gaggenau Anthracite**  
**Width 60 cm**  
**BM451110**  
**Stainless steel-backed full glass door**  
**Width 60 cm**

**Included accessories**  
 1 x combination grid.  
 1 x glass tub.

**Product Variants**  
**BM450100**  
**Combi-microwave oven 400 series**  
**Full glass door in Gaggenau Anthracite**  
**Width 60 cm**  
**Right-hinged**  
**Controls at the top**  
**BM455100**  
**Combi-microwave oven 400 series**  
**Full glass door in Gaggenau Anthracite**  
**Width 60 cm**  
**Left-hinged**  
**Controls at the bottom**

**BM451100**  
**Combi-microwave oven 400 series**  
**Full glass door in Gaggenau Anthracite**  
**Width 60 cm**  
**Left-hinged**  
**Controls at the top**  
 2020-04-10  
 Page 2

Side view of BM 454/455 above BO



⚡ Socket  
 measurements in mm