



#### Color Variants

**BM454110**  
Stainless steel-backed full glass door  
Width 60 cm

#### Included accessories

1 x combination grid.  
1 x glass tub.

#### Product Variants

**BM450110**  
Combi-microwave oven 400 series  
Stainless steel-backed full glass door  
Width 60 cm  
Right-hinged  
Controls at the top

**BM451110**  
Combi-microwave oven 400 series  
Stainless steel-backed full glass door  
Width 60 cm  
Left-hinged  
Controls at the top

**BM455110**  
Combi-microwave oven 400 series  
Stainless steel-backed full glass door  
Width 60 cm  
Left-hinged  
Controls at the bottom

**BM454110**  
Combi-microwave oven 400 series  
Stainless steel-backed full glass door  
Width 60 cm  
Right-hinged  
Controls at the bottom

Handleless door / automatic door opening  
Single operation and combination of microwave, grill and oven  
Sequential operation of up to 5 modes incl. programming of combined operation and rest time  
TFT touch display  
Panel-free appliance with surface control module  
Electronic temperature control  
Interior volume 36 litres

#### Programmes

Microwave operation with 5 output levels: 1000, 600, 360, 180, 90 W.  
Oven operation with 4 heating methods: Hot air 40 °C and from 100 °C to 250 °C,  
Full surface grill + hot air from 100 °C to 250 °C,  
Full surface grill + circulated air from 100 °C to 250 °C,  
Full surface grill with 3 levels of intensity, maximum output 2000 W.  
Heating methods with microwave output levels 600, 360, 180 and 90 W freely combinable.  
15 automatic programmes with weight indication, customisable:  
4 defrosting programmes  
4 cooking programmes  
7 combination programmes  
Option to save individual recipes.

#### Handling

Automatic door opening.  
Rotary knob and TFT touch display operation.  
Clear text display.  
Information key with use indicators.  
Side-opening door opens up to 180° angle.

#### Features

Innowave.  
Rapid heating.  
4 tray levels.  
Actual temperature display.  
60 W halogen light on the side.

#### Safety

Thermally insulated door with triple glazing.  
Triple door lock.  
Child lock.  
Safety shut-off.  
Cooled housing with temperature protection.

#### Cleaning

Hygienic stainless steel interior with glass ceramic base.  
Interior back wall with catalytic coating.

#### Planning notes

Door hinge not reversible.  
Plan the niche without back wall.  
The door panel surface of the appliance extends 47 mm from the furniture cavity.  
If the handle (optional accessory) is retrofitted, the outer edge of the door handle extends 94 mm from the furniture cavity.  
Consider the overhang, incl. the door handle where applicable, when planning to open drawers next to the appliance.  
When planning a corner solution, pay attention to the 110° door opening angle.

#### Characteristics

Type of micro-wave oven

MW-Combi

Type of control

Electronic

Color / Material Front

Dimensions of the product (mm)

455 x 590 x 582

Cavity dimensions (mm)

236.0 x 445.0 x 348.0

Length electrical supply cord (cm)

150

Net weight (kg)

38.840

Gross weight (kg)

44.4

EAN code

4242006218355

#### Consumption and connection features

Maximum micro-wave power (W)

1000

Power of the booster function (W)

Connection Rating (W)

3100

Current (A)

16

Voltage (V)

220-240

Frequency (Hz)

60; 50

Plug type

fixed connection, no plug

2020-03-31

Page 1

The mains socket needs to be planned outside of the built-in niche.

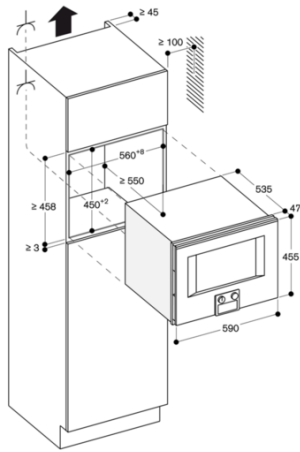
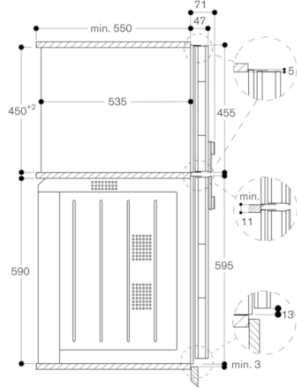
#### Connection

Total connected load 3.1 kW.

Connection cable 1.5 m without plug.

**BM454110**  
**Combi-microwave oven 400 series**  
**Stainless steel-backed full glass door**  
**Width 60 cm**  
**Right-hinged**  
**Controls at the bottom**  
 2020-03-31  
 Page 2

Side view of BM 454/455 above BO



⚡ Socket  
 measurements in mm