



Gaggenau  
BMP250100  
Combi-MW oven 36l 200 series ANT R

Predecessor:

Successor:

EAN code:  
4242006218393

sales programme:

## BMP250100

**Combi-microwave oven 200 series**  
**Full glass door in Gaggenau Anthracite**  
**Width 60 cm**  
**Right-hinged**  
**Controls at the top**

- Flush installation
- Single operation and combination of microwave, grill and oven
- Sequential operation of up to 5 modes incl. programming of combined operation and rest time
- TFT touch display
- Panel-free appliance with surface display module
- Electronic temperature control
- Interior volume 36 litres

### Programmes

- Microwave operation with 5 output levels: 1000, 600, 360, 180, 90 W.
- Oven operation with 4 heating methods:  
 Hot air 40 °C and from 100 °C to 250 °C,  
 Full surface grill + hot air from 100 °C to 250 °C,  
 Full surface grill + circulated air from 100 °C to 250 °C  
 Full surface grill with 3 levels of intensity, maximum output 2000 W.
- Heating methods with microwave output levels 600, 360, 180 and 90 W freely combinable.
- 15 automatic programmes with weight indication, customisable:  
 4 defrosting programmes  
 4 cooking programmes  
 7 combination programmes
- Option to save individual recipes.

### Handling

- Rotary knob and TFT touch display operation.
- Clear text display in 25 languages.
- Information key with use indications.
- Side-opening door opens up to 110° angle.

### Features

- Innowave.
- Rapid heating.
- 4 rack levels.
- Actual temperature display.
- 60 W halogen light on the side.

### Safety

- Thermally insulated door with triple glazing.
- Triple door lock.
- Child lock.
- Safety shut-off.
- Cooled housing with temperature protection.

### Cleaning

- Hygienic stainless steel interior with glass ceramic base.
- Interior back wall with catalytic coating.

### Planning notes

- Door hinge not reversible.

### Included accessories

1 x combination grid, 1 x glass tub

### Optional accessories

### Alternative colors available

BMP250110:Stainless steel  
 BMP250130:Aluminium

### Technical Data

#### Characteristics

Type of micro-wave oven : MW-Combi  
 Type of control : electronical  
 Color / Material Front : Anthracite  
 Dimensions of the product (mm) : 455 x 590 x 580  
 Cavity dimensions (mm) : 236 x 445 x 348  
 Length electrical supply cord (cm) : 150.0  
 Net weight (kg) : 37.000  
 Gross weight (kg) : 41.000  
 Maximum micro-wave power (W) : 1000  
 Number of Power Levels : 5  
 Turntable : No  
 Heating type : Combined operation,  
 Fan air grill system, full width variable  
 grill, Hot air, Hot air grilling, Microwave  
 Cavity material : Stainless steel  
 Door opening : Handle  
 Clock : Yes  
 Included accessories : 1 x combination  
 grid, 1 x glass tub  
 Main colour of product : Anthracite  
 Height of the product (mm) : 455  
 Width of the product (mm) : 590  
 Depth of the product : 580

#### Consumption and connection features

Maximum micro-wave power (W) : 1000  
 Connection Rating (W) : 3100  
 Current (A) : 16  
 Voltage (V) : 220-240  
 Frequency (Hz) : 50-60  
 Plug type : Fixed connection, No plug  
 Color / Material Front : Anthracite  
 Alternative colors available :  
 BMP250110, BMP250130  
 Approval certificates : CE, VDE  
 Dimensions of the packed product (in) :  
 22.04 x 27.95 x 27.16  
 Net weight (lbs) : 82  
 Gross weight (lbs) : 90

# GAGGENAU

**BMP250100**

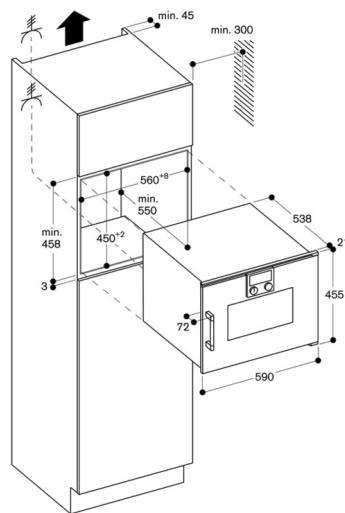
**Combi-microwave oven 200 series**

**Full glass door in Gaggenau Anthracite**

**Width 60 cm**

**Right-hinged**

**Controls at the top**



**kouzina**

Kouzina Appliances Ltd  
155 The Strand Parnell

PO Box 137083 Parnell Auckland 1151  
kouzina.co.nz sales@kouzina.co.nz

T 09 377 7822  
F 09 377 7824