



Color Variants

BOP220132

BOP220102

BOP220112

Included accessories

1 x enamel baking tray,
suit. pyrolytic clean.
1 x glass pan.
1 x grill shelf.

Optional accessories

BA016105

Pull-out system

BA026115

Baking tray, enameled

BA036105

Wire rack, chromium-plated

BA046115

Glass tray

BA056115

Heating element for baking stone and
cast-iron roaster

BA056133

Baking stone

BA226105

Broil pan, enameled

BS020002

Pizza peel, additional set of 2

GN340230

Non-stick aluminum cast-iron roaster

Product Features

Product color

Construction type

Built-in

Integrated Cleaning system

Self Clean

Required cutout size (HxWxD) (mm)

590-590 x 560-560 x 550

Overall appliance dimensions (HxWxD)

(mm)

595 x 590 x 547

Product packaging dimensions

(HxWxD) (mm)

780 x 760 x 680

Control Panel Material

Door Material - primary cavity

Glass

Net weight (kg)

55.000

Usable volume of cavity (l)

76

Cooking mode

Baking stone function, Bottom heat,
Conventional heat, Full width broil, Hot
Air, Hot air broiling, Hot Air-Eco, Top
heat

Primary cavity material

Number of interior lights

1

Approval certificates

CE, VDE

Power cord length (cm)

Interior Lights - primary cavity

1

Pull-out system

Accessory

Timer settings

Alarm, Off, On, timer

Included accessories

1 x enamel baking tray, suit. pyrolytic
clean, 1 x glass pan, 1 x grill shelf

Bake Element Wattages primary cavity

(W)

Broil Element Wattages primary cavity

(W)

3000

Convection Element Wattages primary

cavity (W)

2100

Microwave Wattages (W)

Drawer wattage (W)

Consumption and connection features

Energy efficiency class (2010/30/EC)

A

Energy consumption per cycle

conventional (2010/30/EC)

1.25

Energy consumption gas oven per cycle

conventional (2010/30/EC)

Energy consumption per cycle forced

air convection (2010/30/EC)

0.83

Energy consumption gas oven per cycle

forced air convection (2010/30/EC)

Energy efficiency index (2010/30/EC)

95.4

Watts (W)

3700

Current (A)

16

Volts (V)

220-240

Frequency (Hz)

50

Plug type

fixed connection, no plug

Connecting cable type

UPC code

Product color

Alternative colors available

BOP220102, BOP220112

Energy source

Electric

Approval certificates

CE, VDE

Power Cord Length

Required cutout size (HxWxD) (in)

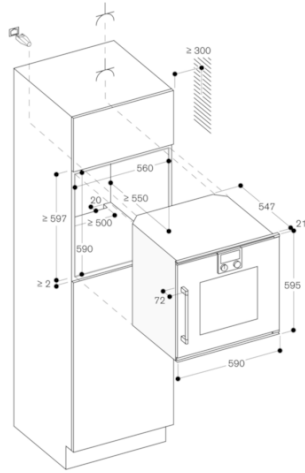
x x

Product packaging dimensions

(HxWxD) (in)

26 3/8 x 29 7/8 x 26 3/8

GAGGENAU



measurements in mm