



#### Color Variants

BS470112

#### Included accessories

1 x outlet hose 3m.  
1 x grid.  
1 x pluggable meat probe.  
1 x water inlet hose 3m.  
1 x STS tray.  
punched.  
40 mm deep.  
1 x STS tray.

#### Optional accessories

BA010301  
BA020360  
BA020370  
BA020380  
BA020390  
CLS10040  
Cleaning cartridges, set of 4  
CLS30040  
GN010330  
GN114130  
Stainless steel cooking insert  
GN114230  
Stainless steel cooking insert  
GN124130  
Stainless steel cooking insert  
GN124230  
Stainless steel cooking insert  
GN340230  
Non-stick aluminum cast-iron roaster

#### Installation Accessories

GF111100  
GF121110  
GZ010011  
Extension for inlet and outlet (78" long)

#### Product Variants

BS471112  
BS474112  
BS475112

#### Product Features

Product color

Construction type

Built-in

Door opening

Lateral

Required cutout size (HxWxD) (mm)

450-450 x 560-560 x 550

Overall appliance dimensions (HxWxD)

(mm)

455 x 590 x 540

Product packaging dimensions

(HxWxD) (mm)

590 x 660 x 690

Control Panel Material

Door Material - primary cavity

Stainless steel behind glass

Net weight (kg)

47.573

Approval certificates

Australia Standards, CCC, CE, China,  
China ROHS 20, Eurasian, G-Mark,  
Ukraine, VDE

Power cord length (cm)

175

Cooking mode

Broil and steam, Defrost, fermentation,  
Hot Air, Hot air + steam 100%, Hot air  
+ steam 30%, Hot air + steam 60%,  
Hot air + steam 80%, Hot air broiling,  
Regeneration, Sous-vide cooking

Time-setting Options

#### Consumption and connection features

Watts (W)

Current (A)

16

Volts (V)

220-240

Frequency (Hz)

50

Plug type

Gardy plug w/ earthing

Connecting cable type

Approval certificates

Australia Standards, CCC, CE, China,  
China ROHS 20, Eurasian, G-Mark,  
Ukraine, VDE

UPC code

825225962830

Product color

Alternative colors available

Energy source

Electric

Current (A)

16

Volts (V)

220-240

Frequency (Hz)

50

Approval certificates

Australia Standards, CCC, CE, China,  
China ROHS 20, Eurasian, G-Mark,  
Ukraine, VDE

Power Cord Length

Plug type

Gardy plug w/ earthing

Overall appliance dimensions (HxWxD)

(in)

Required cutout size (HxWxD) (in)

Product packaging dimensions

(HxWxD) (in)

Net weight (lbs)

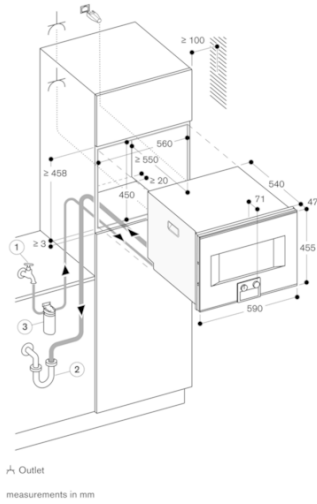
105.000

Gross weight (lbs)

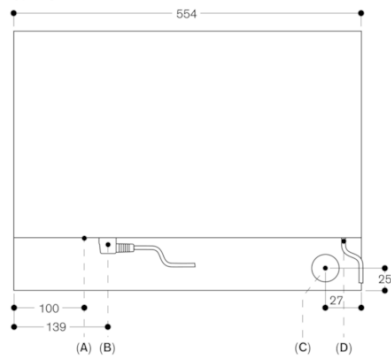
110

2020-03-25

Page 1



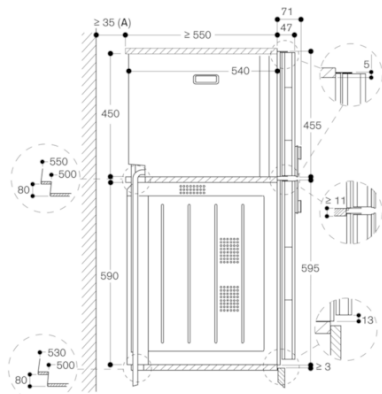
Rear view



- A: LAN connection
- B: Electric connection box
- C: Water drainage
- D: Cold water connection

Measurements in mm

Side view BS 474/475 over BO



A: Only necessary if the BS water hoses cannot be guided into the corner recesses of the device.

Measurements in mm