



#### Color Variants

BS485111

#### Included accessories

4 x cleaning cartridge.  
1 x outlet hose 3m.  
1 x STS tray-GN2/3-punched-40 mm deep.  
1 x STS tray-GN2/3-unpunched-40 mm deep.  
1 x grid.  
1 x pluggable meat probe.  
1 x water inlet hose 3m.

#### Optional accessories

CLS10040  
CLS20040  
GN114130  
GN114230  
GN124130  
GN124230  
GN144130  
GN144230  
GN154130  
GN154230  
GN340230  
GN410130  
GN410230  
GR220046

#### Installation Accessories

BA478310  
GF111100  
GF121110  
GZ010011

#### Product Variants

BS484111

#### Characteristics

##### Color / Material Front

Stainless steel

##### Built-in / Free-standing

Built-in

##### Door opening

Lateral

##### Required niche size for installation

(HxWxD)

450 x 724 x 550

##### Dimensions of the product (mm)

455 x 752 x 535

##### Control Panel Material

without panel

##### Door Material

Stainless steel behind glass

##### Net weight (kg)

53.0

##### Approval certificates

CE, VDE

##### Length electrical supply cord (cm)

##### Cooking method

, Defrost, Full width grill, grill + steam, Hot Air, Hot air + steam 100%, Hot air + steam 30%, Hot air + steam 60%, Hot air + steam 80%, Hot air grilling, Regeneration

##### Time-setting Options

##### Consumption and connection features

##### Electrical connection rating (W)

Current (A)

12

##### Voltage (V)

220-240

##### Frequency (Hz)

50

##### Plug type

fixed connection, no plug

##### Approval certificates

CE, VDE

##### Universal Product Code

825225914969

##### Color / Material Front

Stainless steel

##### Alternative colors available

##### Energy input

Electric

##### Current (A)

12

##### Voltage (V)

220-240

##### Frequency (Hz)

50

##### Approval certificates

CE, VDE

##### Length of electrical supply cord (in)

##### Plug type

fixed connection, no plug

##### Appliance Dimensions (h x w x d) (in)

Required cutout/niche size for installation (in)

##### Dimensions of the packed product (in)

##### Net weight (lbs)

117

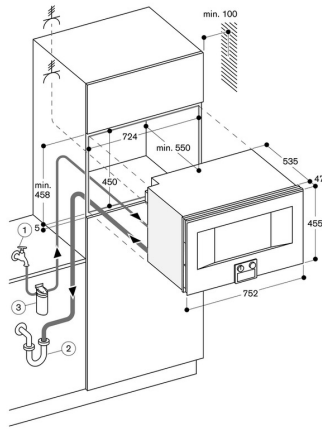
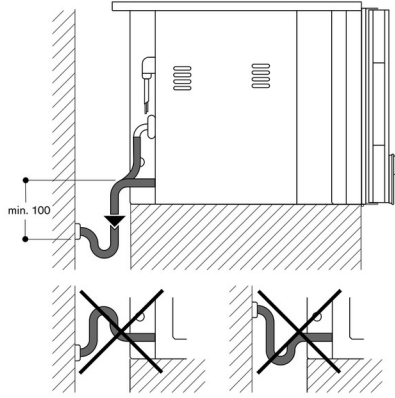
##### Gross weight (lbs)

123

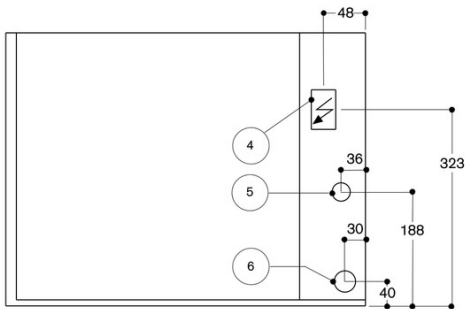
2016-08-22

Page 1

Drainage connection



View from the back



- (4) electric terminal box
- (5) cold-water connection
- (6) water outlet