



Color Variants

BS485112

Included accessories

1 x outlet hose 3m.
1 x grid.
1 x pluggable meat probe.
1 x water inlet hose 3m.
1 x STS tray.
punched.
40 mm deep.
1 x STS tray.

Optional accessories

BA010301
BA020360
BA020370
BA020380
BA020390
CLS10040
Cleaning cartridges, set of 4
CLS30040
GN010330
GN114130
Stainless steel cooking insert
GN114230
Stainless steel cooking insert
GN124130
Stainless steel cooking insert
GN124230
Stainless steel cooking insert
GN340230
Non-stick aluminum cast-iron roaster

Installation Accessories

GF111100
GF121110
GZ010011
Extension for inlet and outlet (78" long)

Product Variants

BS484112

Product Features

Product color

Construction type

Built-in

Door opening

Lateral

Required cutout size (HxWxD) (mm)

450-450 x 724-724 x 550

Overall appliance dimensions (HxWxD) (mm)

455 x 752 x 540

Product packaging dimensions (HxWxD) (mm)

600 x 820 x 700

Control Panel Material

Door Material - primary cavity

Stainless steel behind glass

Net weight (kg)

52.282

Approval certificates

Australia Standards, CCC, CE, China, China ROHS 20, Eurasian, G-Mark, Ukraine, VDE

Power cord length (cm)

175

Cooking mode

Broil and steam, Defrost, fermentation, Hot Air, Hot air + steam 100%, Hot air + steam 30%, Hot air + steam 60%, Hot air + steam 80%, Hot air broiling, Regeneration, Sous-vide cooking

Time-setting Options

Consumption and connection features

Watts (W)

Current (A)

16

Volts (V)

220-240

Frequency (Hz)

50

Plug type

Gardy plug w/ earthing

Connecting cable type

Approval certificates

Australia Standards, CCC, CE, China, China ROHS 20, Eurasian, G-Mark, Ukraine, VDE

UPC code

825225962427

Product color

Alternative colors available

Energy source

Electric

Current (A)

16

Volts (V)

220-240

Frequency (Hz)

50

Approval certificates

Australia Standards, CCC, CE, China, China ROHS 20, Eurasian, G-Mark, Ukraine, VDE

Power Cord Length

Plug type

Gardy plug w/ earthing

Overall appliance dimensions (HxWxD) (in)

Required cutout size (HxWxD) (in)

Product packaging dimensions (HxWxD) (in)

Net weight (lbs)

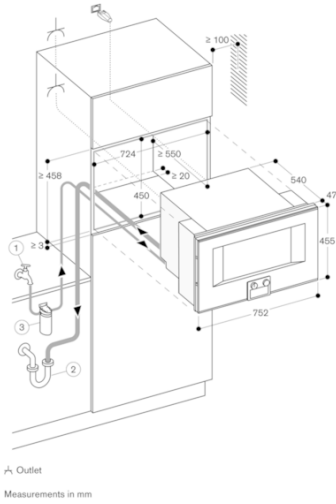
115.000

Gross weight (lbs)

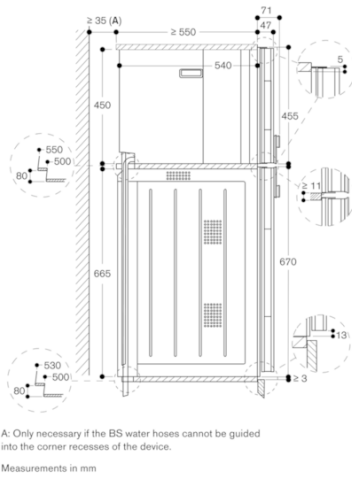
121

2020-03-25

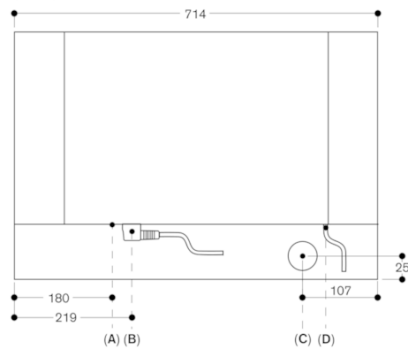
Page 1



Side view BS 484/485 over BO



Rear view



- A: LAN connection
- B: Electric connection box
- C: Water drainage
- D: Cold water connection

Measurements in mm