



Gaggenau  
BX480110  
Double oven 76cm 400 series ss/glass  
R

Predecessor:

Successor:

EAN code:  
4242006216320

sales programme:

## BX480110

**Double oven 400 series**  
**Stainless steel-backed full glass door**  
**Width 76 cm**  
**Right-hinged**  
**Controls centered**

- Pyrolytic system
- 17 heating methods, with core temperature probe, rotisserie spit and baking stone function
- TFT touch display
- Electronic temperature control from 30 °C to 300 °C
- 2 x 110 litres net volume

### Heating methods

- Hot air.
  - Eco hot air.
  - Top + bottom heat.
  - Top + 1/3 bottom heat.
  - Top heat.
  - 1/3 top + bottom heat.
  - Bottom heat.
  - Hot air + bottom heat.
  - Hot air + 1/3 bottom heat.
  - Full surface grill + circulated air.
  - Full surface grill.
  - Compact grill.
  - Baking stone function.
  - Roaster function.
  - Dough proofing.
  - Defrosting.
  - Keeping warm.

### Handling

- Rotary knob and TFT touch display operation.
- Clear text display in 25 languages.
- Information key with use indicators.
- Side-opening door opens up to 180° angle.

### Features

- Core temperature probe with automatic shut-off (lower oven).
- Rotisserie spit (lower oven).
- Baking stone socket.
- Actual temperature display.
- Rapid heating.
- Timer functions: cooking time, cooking time end, timer, stopwatch, long-term timer.
- 60 W halogen light on the top.
- 10 W halogen light on the side.
- Enamelled side shelf supports with 5 tray levels, pyrolysis-safe.

### Safety

- Thermally insulated door with quadruple glazing.
- Child lock.
- Safety shut-off.
- Cooled housing with temperature protection.

### Included accessories

2 x enamel baking tray, suit. pyrol. clean., 1 x rotary spit, 2 x grill shelf, 2 x grill tub with grid, 1 x pluggable meat probe

### Optional accessories

- BA018103 1 telescopic shelf rail 76 cm
- BA028113 Baking tray, 76 cm oven
- BA038103 Wire shelf for 76 cm oven
- BA058113 Heating elem. 230 V, 76 cm oven
- BA058133 Baking stone for 76 cm oven
- BS020002 Set of 2 pizza paddles
- GN340230 Gastronorm roaster GN 2/3

### Alternative colors available

### Technical Data

#### Characteristics

Color / Material Front : Stainless steel  
Built-in / Free-standing : Built-in  
Integrated Cleaning system - cavity 1 : Easy to clean enamel, Pyrolytic  
Dimensions of the product (mm) : 1428 x 752 x 547

Control Panel Material : Alu

Door Material : Glass

Net weight (kg) : 152.000

Usable volume of cavity (l) : 110

Cooking method first cavity : , Baking stone function, Bottom heat, Bottom heating, 1/3 top heat., Conventional heat, Defrost, Dough proving setting, Full width grill, Half width grill, Hot Air, Hot air and 1/1 bottom heating, Hot air and 1/3 bottom heating, Hot air grilling, Roaster function, Top heat, Top heating, 1/3 bottom heat., warming

First cavity material : Enamelled

Temperature control - cavity 1 : electronic

Number of interior lights : 2

Approval certificates : CE, VDE

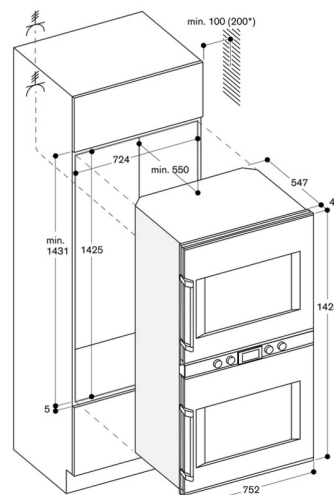
Cooking method second cavity : , Baking stone function, Bottom heating, Bottom heating, 1/3 top heat., Defrosting, Dough proving setting, Hot air, Hot air and 1/1 bottom heating, Hot air and 1/3 bottom heating, Hot air grill, Large-area grill, Roaster function, Small area grill, Top/bottom heating, Top heating, Top heating, 1/3 bottom heat., Warming

Electronic timer : programmable, Switch-off

Included accessories cavity 1 : 2 x enamel baking tray, suit. pyrol. clean., 1 x rotary spit, 2 x grill shelf, 2 x grill tub with grid, 1 x pluggable meat probe

Broil Element Wattages cavity 1 (W) : 3900

**BX480110**  
Double oven 400 series  
Stainless steel-backed full glass door  
Width 76 cm  
Right-hinged  
Controls centered



\* 200 mm in conjunction with BA 018 103