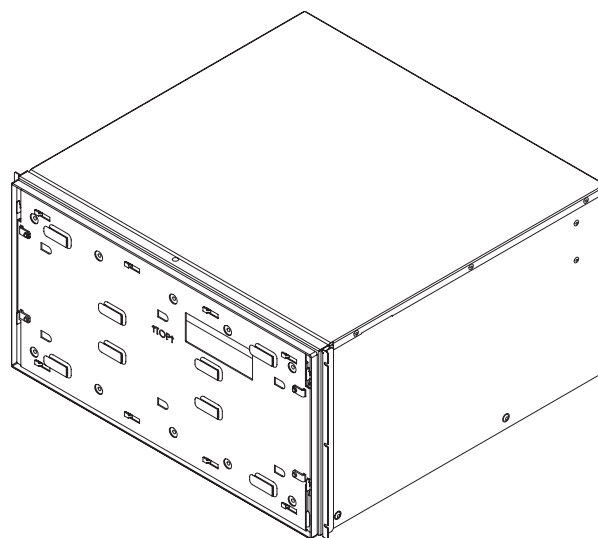
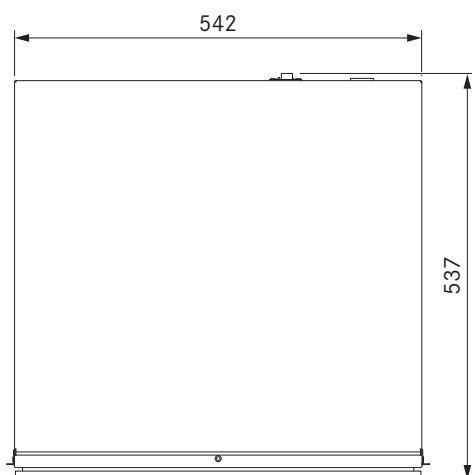
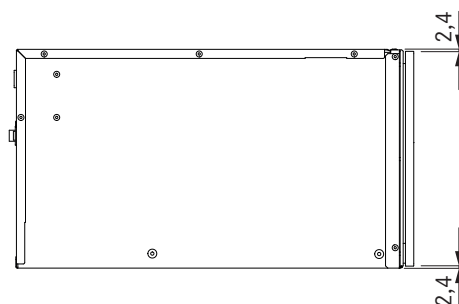
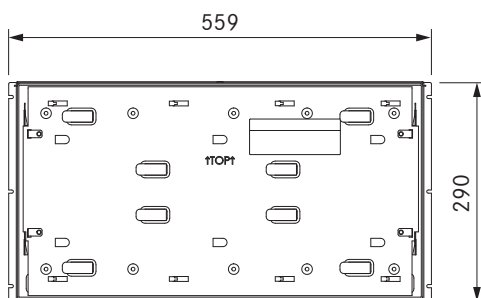


MS290



Multi drawer 290mm



Technical data

Supply voltage	220 - 240 V
Frequency	50 - 60 Hz
Maximum power consumption	810 W
Minimum fuse protection	1 x 16 A
Dimensions (width x height x depth)	559 x 290 x 537 mm
Dimensions oven chamber (width x height x depth)	525 x 247 x 410 mm
Oven chamber volume	50 l
Maximum loading weight	25 kg
Weight (incl. accessories/packaging)	24 kg
Weight	20,7 kg
Time stages	1 - 6
Temperature levels	1 - 6
Temperature control range	30 - 100 °C
Power supply cable length	1,8 m
Power supply cable type	C13 / E+F

Product description

- Best performance - Powerful and versatile
- Best materials: glass fronts and bases/refined metal components/quality/durability
- Touchdisplay/Soundfeedback/Icons
- Minimalist design: Flush-integrated surface, Handleless, All Black and consistent to BORA X BO
- Push2Open - easy opening by lightly pressing the front of the drawer
- Simple cleaning
- Room to cook: storage space/load capacity/divisible organisation elements
- Individual control options - operation via presets or manual temperature and time control possible
- BORA Connectivity - expanded operating options and range of functions thanks to networking with BORA X BO
- Dishwasher-safe shelf rack

Scope of delivery

- Multi drawer 290mm MS290
- Level-grid
- Power supply cable with type E + F plugs
- Communication cable
- 5 pairs of decore side frames (different widths)
- Installation accessories
- Sealing lip
- operating and installation instructions

Accessories

- Multi drawer level-grid MSER
- Multi drawer glass front 290mm MSF290
- Multi drawer power supply cable type G MSNLG (UK, IE)
- Multi drawer power supply cable type J MSNLJ (CH)

Product- and planning instructions

- Other built-in appliances with a total weight of up to 105 kg can be placed directly on top of the multi-drawer.
- The construction base must be permanently installed and designed to withstand the appliances' weight.
- The back panel of the kitchen unit must not be fitted behind the appliance
- Up to 2 shelf racks can be used in the multi-drawer.