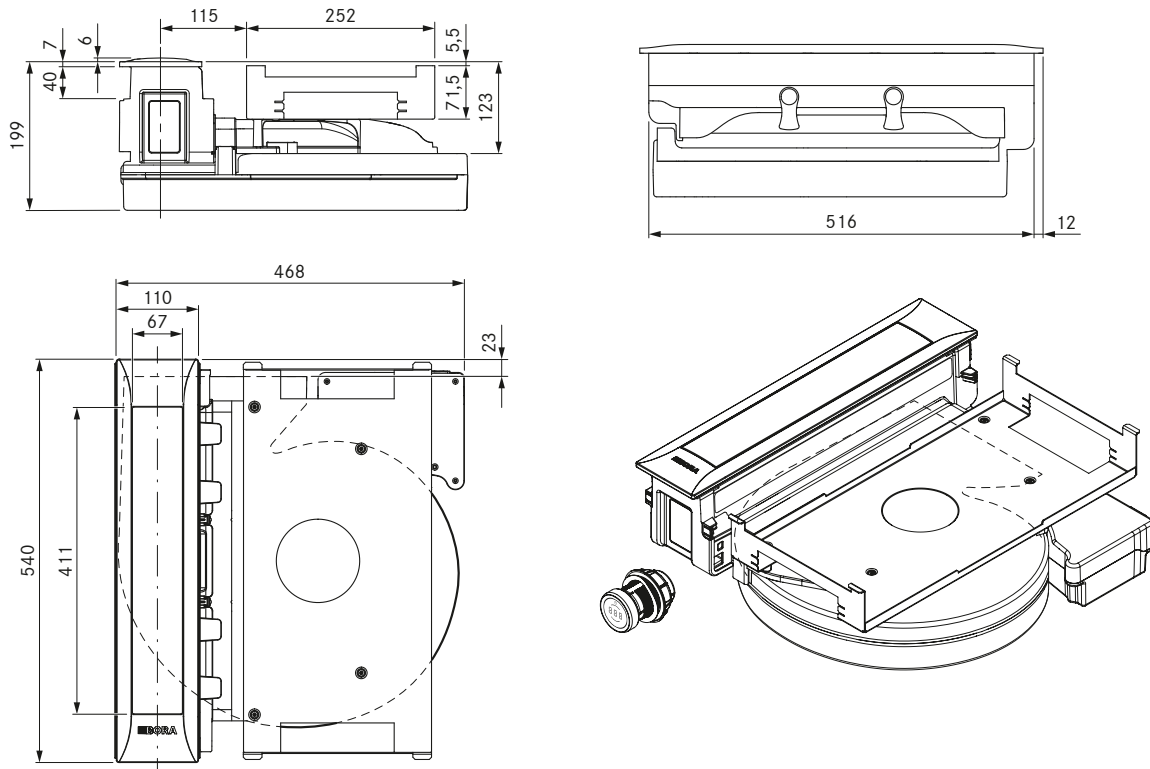


PKAS3

BORA Pro cooktop extractor system with integrated fan



Technical data

Supply voltage	220 - 240 V
Frequency	50/60 Hz
Maximum power consumption	550 W
Power supply cable length	2 m
Dimensions (width x depth x height)	468 x 540 x 199 mm
Weight (incl. accessories/packaging)	12.5 kg
Cooktop extractor power levels	1 - 9, P
duct connection	BORA Ecotube

Product description

- Intuitive control knob
- Automatic cover flap
- Premium design
- Simple cleaning
- Integrated grease drip pan
- Genuine stainless steel grease filter
- Modular system
- Automatic extractor control
- Maximum storage space
- Integrated fan

Scope of delivery

- Cooktop extractor system with integrated fan PKAS3
- Control knob
- stainless steel grease filter
- Filter tray
- Maintenance tray
- cover flap
- connection cable for the control knob
- operating and installation instructions
- height adjustment plate set
- Mounting clamps
- Power supply cable with type E + F plugs

Accessories

- PKA1FF stainless steel grease filter
- PKA1VK cover flap
- PKA1FW filter tray
- UNLI type I power supply cable (AUS)
- UNLJ type J power supply cable (CH)
- UNLG type G power supply cable (GB-IE)
- UNLB type B power supply cable (PH)
- UNLH type H power supply cable (IL)

product- and planning instructions

- Suitable for use as a recirculation or exhaust system
- Compatible with all BORA Professional 3.0 cooktops and BORA Universal fan modules
- Use of an additional fan module is possible for very long or complex exhaust air channels
- The worktop height can be adjusted as necessary
- Worktop depth: ≥ 700 mm
- Installation type: flush or surface-mounted
- The drawers and/or shelves in the floor unit must be removable for maintenance and cleaning purposes
- The BORA Ecotube duct system is optimally tailored to the BORA cooktop extractors and guarantees 100% functionality and optimum performance
- The Professional cooktop extractor system can be combined with all BORA sockets
- Duct connection on the back of the appliance