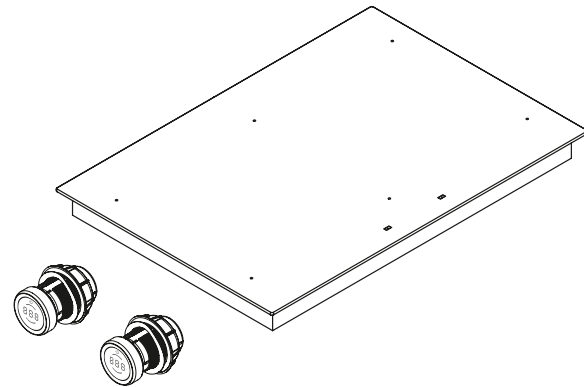
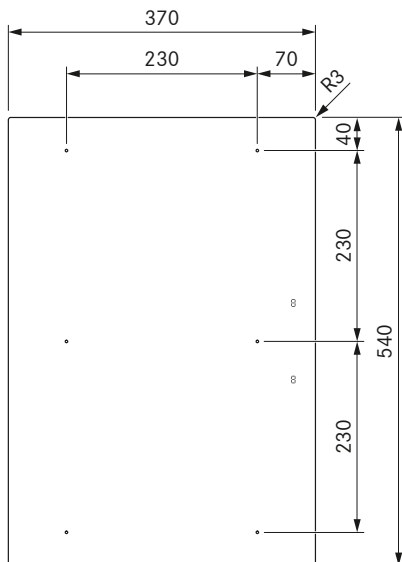
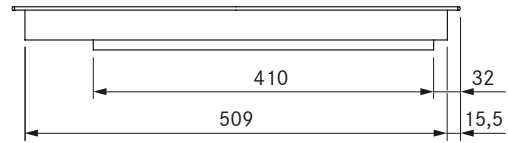
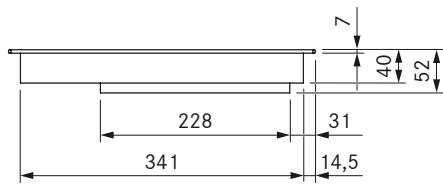


PKFI3

BORA Pro surface induction cooktop



Technical data

Supply voltage	220 - 240 V
Frequency	50/60 Hz
Maximum power consumption	3.68 kW
Maximum power rating	3.68 kW
Minimum fuse protection	1 x 16 A
Power supply cable length	1,5 m
Dimensions (width x depth x height)	370 x 540 x 52 mm
Weight (incl. accessories/packaging)	8.1 kg
Surface material	SCHOTT CERAN®
Cooktop power levels	1 - 9, P
Size of front cooking zone	230 x 230 mm
Size of rear cooking zone	230 x 230 mm
Front cooking zone output	2100 W
Rear cooking zone output	2100 W
Front cooking zone power setting output	3680 W
Rear cooking zone power setting output	3680 W

Product description

- Intuitive control knob
- Oversized surface induction cooking zones
- Performance level display on the cooktop
- Variable heat retention function
- bridging function
- Childproofing feature
- Cooking zone timers
- Timer
- Demo mode
- Pause function

Scope of delivery

- Surface induction cooktop PKFI3
- 2 x control knobs
- 2 x connection cables for the control knobs
- Connection cable to the extractor
- operating and installation instructions
- mounting straps
- height adjustment plate set

product- and planning instructions

- Rotation by 180° possible during installation
- Please note that induction-compatible cookware must be used on induction cooktops
- Ensure sufficient ventilation of the area below the cooktop.