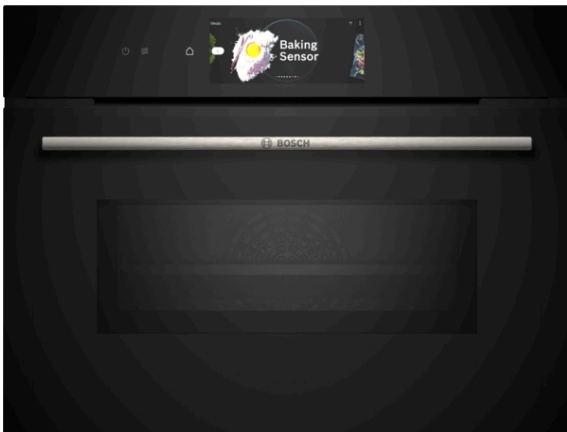


**Series 8, Built-in compact oven with microwave function, 60 x 45 cm, Black
CMG778NB1**



Included accessories

1 x enamel baking tray
1 x combination grid
1 x universal pan

Optional accessories

HEZ327000 Pizza stone, HEZ531010 Baking tray, non-stick ceramic coated, HEZ532010, HEZ617000 Pizza pan, anthracite enamelled, HEZ629070, HEZ631070, HEZ632070, HEZ634000, HEZ636000, HEZ660050, HEZ660060, HEZ664000, HEZ915003, HEZG0AS00

The built-in microwave oven with Digital Control Ring and TFT-touchdisplay Pro. Assist function for meals: automatically prepares your dishes, PerfectRoast Plus, PerfectBake Plus, Home Connect for control via the App.

- **TFT Touch Display Pro:** control with an innovative Digital Control Ring and full TFT touchscreen.
- **Air Fry Function with tray:** for perfectly fried foods, such as vegetables and chips.
- **Digital Control Ring:** the simple and innovative way to select oven settings.
- **Pyrolytic self-cleaning:** automatically cleans the oven, just wipe out the ash.
- **Cleaning Assistance:** less cleaning effort

Technical Data

Type of micro-wave oven : MW-Combi
Type of control : Electronic
Dimensions : 455 x 594 x 548 mm
Cavity dimensions : 237.0 x 480 x 392.0 mm
Length electrical supply cord : 150.0 cm
Net weight : 34.5 kg
Gross weight : 37.6 kg
Maximum micro-wave power : 900 W
Number of Power Levels : 5
Turntable : No
Cavity material : Enamelled steel
Door opening : Handle
Clock : Yes
Included accessories : 1 x enamel baking tray, 1 x combination grid, 1 x universal pan
Height of the appliance : 455 mm
Width of the appliance : 594 mm
Depth of the product : 548 mm
Maximum micro-wave power : 900 W
Connection Rating : 3600 W
Fuse protection : 16 A
Voltage : 220-240 V
Frequency : 60; 50 Hz
Plug type : GARDY plug w/ earthing
Required cutout/niche size for installation (in) : x
Dimensions of the packed product : 21.25 x 25.59 x 26.77
Net weight : 76.000 lbs
Gross weight : 83.000 lbs
Included accessories : 1 x enamel baking tray, 1 x combination grid, 1 x universal pan



Series 8, Built-in compact oven with microwave function, 60 x 45 cm, Black CMG778NB1

The built-in microwave oven with Digital Control Ring and TFT-touchdisplay Pro. Assist function for meals: automatically prepares your dishes, PerfectRoast Plus, PerfectBake Plus, Home Connect for control via the App.

Heating Functions

- Compact oven with microwave with 22 heating methods: 4D Hot Air
Defrost Air fry Dehydrate Full width grill Hotair gentle Intensive heat Half width grill Top/Bottom heating Conventional heat gentle Pizza setting Low temperature / slow cooking Bottom heating Hot-air grilling Plate warming Keep warm Microwave only heating method: Microwave, 5 power levels
Combination microwave and Oven heating method: 4D Hot air
Full width grill Half width grill Conventional heat Hot air grilling
- Max. Power: 900 W; With 5 Microwave power settings (90 W, 180 W, 360 W, 600 W, boost) with Inverter (MW)
- Intelligent inverter technology: maximum output power will be regulated to 600 W when used in longer operation
- Temperature range 30 °C - 300 °C
- Automatic rapid heat function

Rails

- Number of shelf levels: 3
- Telescopic rails: 1 level telescopic shelf, standard extension, Pyrolytic telescopic rail - full extension, full adjustment to any shelf level

Design

- Anthracite enamel cavity with 3 shelf positions
- Digital Touch Control Ring
- Touch control
- TFT-Touchdisplay Pro (160 mm x 70 mm)
- Switch for oven illumination, LED lighting
- Cavity volume: 45 l
- Cooling fan

Cleaning

- Pyrolytic cleaning function
- Easy Clean cleaning program: Just add 400ml water and a drop of washing-up liquid in the base pan (recessed area on the bottom of the oven cavity) and run the EasyClean program. This helps to soften baked-on residue so that you can just wipe it down for fast and uncomplicated cleaning

Convenience

- PerfectRoast Plus: using the multipoint meatprobe and with AI and software to predict and show the time when your roasting will be finished
- PerfectBake Plus: delivering you the best results, by using the baking sensor and AI software to predict and show the time when your baking will be finished; to provide you brilliant baking results every time
- Crisp finish: A smart function that removes all of the moist air from the oven, to provide a dry hot environment to crisply finish your cooking
- Built in cooking functions: Bosch Assist - automatic oven sensor cooking technology
- Oven Assistant with Voice Control: With the use of Amazon Alexa or Google home, once fully set up.
- Electronic clock/timer with end time programming
- Automatic Temperature control for each function
Temperature control indicator Actual temperature display Forecasted finish time: Clever use of AI and software to predict when your cooking will be finished Meat probe, set and wait temperature cooking
- SoftMove oven door with soft open and soft close, Drop down oven door with SoftOpen and SoftClose, Bottom hinged door
- HomeConnect ready on Wi-Fi, iService Remote: Our local service team can assist and support with any issues, but using Home Connect and digital access to your oven via the internet
Home Connect helps you to unleash your cooking creativity by allowing you to manage your oven, warming drawer and coffee machine over your Wi-Fi. Tap via the app, speak to your oven with voice control, and make appliances interact with one another automatically. Home Connect is an ever-growing platform that brings the future to your kitchen Once connected with the Home Connect App, your oven will have the full benefits of being able to complete software updates, enabling your oven to have the latest software

Safety Features

- Quadruple glass door panel glazed, Low door temperature, when in use
- Child lock
Residual heat indicator Automatic switch off Start button Door contact safety switch Door lock Automatic door lock during pyrolysis

Accessories

- enamel baking tray, combination grid, universal pan

Technical Information

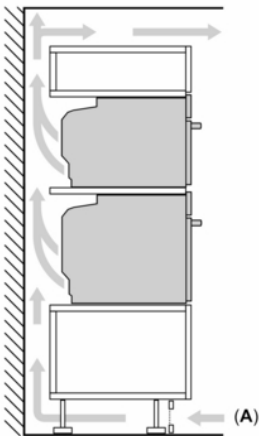
- Length of mains cable: 150 cm
- Nominal voltage: 220 - 240 V
- Total connected load electric: 3.6 KW

Dimensions:

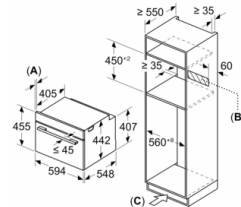
- Appliance dimension (HxWxD): 455 mm x 594 mm x 548 mm
- Installation dimensions (HxWxD): 450 mm - 455 mm x 560 mm - 568 mm x 550 mm
- Please reference the built-in dimensions provided in the installation drawing

Series 8, Built-in compact oven with microwave function, 60 x 45 cm, Black CMG778NB1

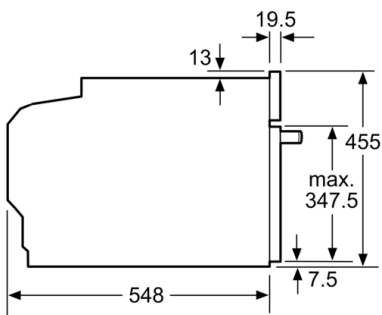
Installing two appliances on top of each other
Air exchange



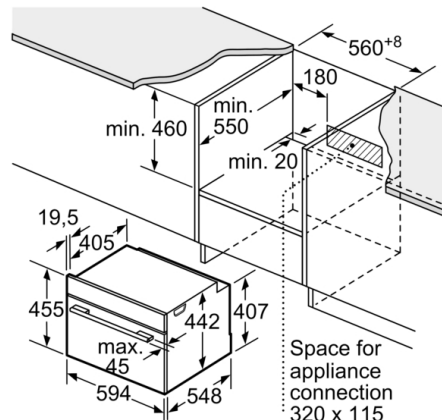
Measurements in mm



- A: 19.5 mm
- B: Space for appliance connection 320 x 115 mm
- C: Ventilation space in the base $\geq 200 \text{ cm}^2$

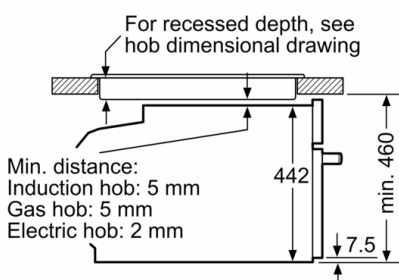


measurements in mm



measurements in mm

Installation with a hob.



Min. distance:
Induction hob: 5 mm
Gas hob: 5 mm
Electric hob: 2 mm

measurements in mm

If the compact appliance will be installed underneath a hob, the following worktop thicknesses (including substructure if necessary) must be taken into account.

Hob type	min. worktop thickness	
	fitted	flush
Induction hob	42 mm	43 mm
Full surface Induction hob	52 mm	53 mm
Gas hob	32 mm	43 mm
Electric hob	32 mm	35 mm