

Series 6, French Door Bottom freezer, multi door, 183 x 90.5 cm, Stainless steel (with anti-fingerprint) KFN96APEAA



The NoFrost refrigerator with VitaFresh plus: Keeps your fresh foods fresh and vitamin-rich longer.

- **VitaFresh XXL <0°C>**: keeps food fresh for longer in extra-large climate-controlled fridge drawers.
- **Metal Backwall with Multi Airflow**: evenly circulates cool, fresh air to maintain consistent temperatures.
- **XXL capacity**: extra space to store more food items due to the slightly wider build.
- **BigBox frozen food drawer**: for stacking storage containers or for large frozen food items.
- **Super Cooling function**: cools new food placed inside faster, thus protecting already cooled food.

Energy Efficiency Class (Regulation (EU) 2017/1369):	E
Annual energy consumption AU:	395 kWh
Freezer Net capacity:	200 l
Refrigerator Net capacity:	405 l
Airborne acoustical noise emissions (EU 2017/1369):38 dB(A) re 1 pW
Airborne acoustical noise emission class (EU 2017/1369):	C
Built-in / Free-standing:	Free-standing
Door panel options:	Not possible
Height:	1830 mm
Width of the appliance:	905 mm
Depth of the product:	731 mm
Net weight:	118.3 kg
Fuse protection:	10 A
Door hinge:	left and right
Voltage:	220-240 V
Frequency:	50 Hz
Length electrical supply cord:	240.0 cm
Storage Period in Event of Power Failure (h):	15 h
Number of compressors:	1
Number of independent cooling systems:	1
Interior ventilator:	Yes
Reversible Door Hinge:	No
Number of Adjustable Shelves in fridge compartment:	3
Shelves for Bottles:	No
Frost free system:	Freezer
Installation type:	Free-standing
Annual energy consumption AU:	395 kWh



Series 6, French Door Bottom freezer, multi door, 183 x 90.5 cm, Stainless steel (with anti-fingerprint) KFN96APEAA

The NoFrost refrigerator with VitaFresh plus: Keeps your fresh foods fresh and vitamin-rich longer.

- No frost: Full no frost
- Stainless steel doors with EasyClean finish

Design and Styling

- LED interior light in fridge section
- Interior with metal applications
- Metal backwall

Convenience & Safety

- Frost free MultiAirflow cooling
- Independent controls for fridge and freezer
- Automatic defrost in fridge section
- acoustic for Fridge and Freeze, Optical warning system Door open
- Without Illumination in freezer section
- Remote Monitoring and Control, iService Remote

Shelving and Compartments

- 4 safety glass shelves of which 3 are height adjustable, 2 shelves extendable
- 2 door shelf large, 2 door shelf small
- Dairy compartment and egg rack
- Deli Drawer
- 6 transparent freezer drawers
- Ice cube tray

Performance and consumption

- Total Volume : 605 l
- Net Fridge Volume : 405 l
- Net Freezer Volume : 200 l
- Freezing capacity 24h : 13 kg
- Annual Energy Consumption: 395 kWh (4.5 Star Energy Rating. When tested in accordance with AS/NZS IEC 62552-3. Actual energy use and running costs will depend on how you use the appliance.)
- Noise Level : 38 dB
- Rated Voltage 220 - 240 V

Dimensions

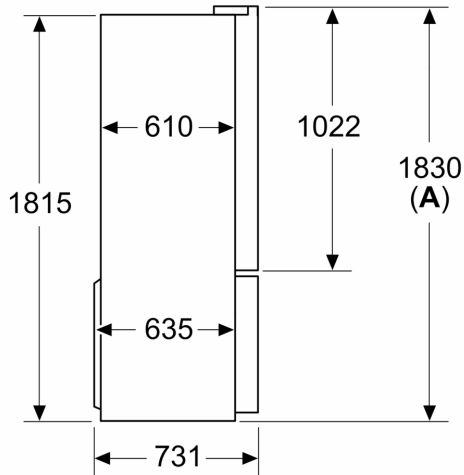
- H 183 cm x W 90.5 cm x D 73.1 cm
- Height (inc. hinge): 1700mm
- Stainless steel doors with EasyClean finish

Accessories

- 3 x egg tray, 1 x ice cube tray

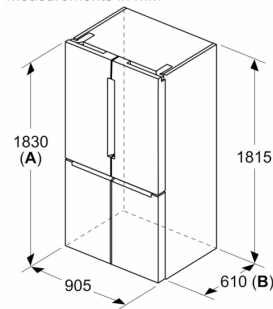
**Series 6, French Door Bottom
freezer, multi door, 183 x 90.5 cm,
Stainless steel (with anti-fingerprint)
KFN96APEAA**

Measurements in mm



A: Front is adjustable 1830–1847 mm, with front levelling feet fully extended

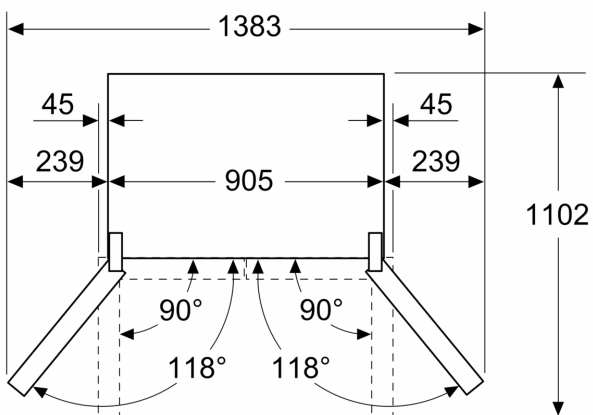
Measurements in mm



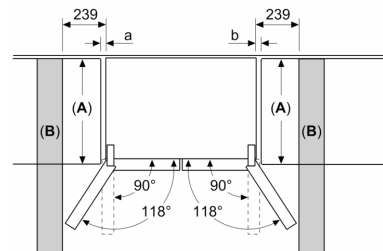
A: Front is adjustable 1830–1847 mm, with front levelling feet fully extended

B: Add 25 mm for fixed spacers on back

Measurements in mm



Measurements in mm



A	a	b
≤ 600	0	0
600 < A ≤ 650	45	45
650 < A ≤ 700	60	60
> 700	239	239

A: Kitchen cabinet or worktop depth

B: Wall
Drawers can be pulled and taken out with door open to 90°