

## Series 8, Built-under dishwasher, 60 cm, Stainless steel SMU8ZCS01A



- **Max Flex Pro baskets:** easy loading with protection for your dishes.
- **VarioDrawer Pro:** Provides extra loading flexibility and convenience for cutlery, cups, and large utensils.
- **Height adjustable basket top basket**
- **The Silence plus dishwasher is pleasingly quiet at just 42 dB.**
- **ExtraQuiet program: A handy wash and dry program that is optimised for whisper quiet operation.**

Maximum number of place settings (EU 2017/1369): ..... 15  
 The water consumption of the eco programme in liters per cycle (EU 2017/1369): ..... 12.2 l  
 Built-in / Free-standing: ..... Built-in  
 Height of removable worktop: ..... 0 mm  
 Dimensions of the product (HxWxD): ..... 815 x 598 x 573 mm  
 Min. required niche size for installation (HxWxD): .... 815-875 x 600 x 550 mm  
 Depth with open door 90 degree: ..... 1150 mm  
 Adjustable feet: ..... Yes - all from front  
 Maximum adjustability feet: ..... 60 mm  
 Adjustable plinth: ..... Both horizontal and vertical  
 Net weight: ..... 47.6 kg  
 Gross weight: ..... 49.5 kg  
 Connection rating: ..... 2400 W  
 Fuse protection: ..... 10 A  
 Voltage: ..... 220-240 V  
 Frequency: ..... 50; 60 Hz  
 Length electrical supply cord: ..... 175.0 cm  
 Plug type: ..... AU plug  
 Length inlet hose: ..... 165 cm  
 Length outlet hose: ..... 190 cm  
 EAN code: ..... 4242005382880  
 Installation type: ..... Built-under



SGZ0BI01 decorative strips stainless steel 81,5cm  
 SGZ1010 inlet and outlet hose extention  
 SGZ6DB04 Vario Drawer for Max Flex Pro Baskets  
 SMZ2014 Rack insert for stemware dishwasher  
 SMZ5150AU Kick panel stainless steel  
 SMZ5300 GlassSecure Tray

## Series 8, Built-under dishwasher, 60 cm, Stainless steel SMU8ZCS01A

### Capacity

- 15 place setting capacity

### Consumption rates

- 4.5 Energy rating
- 5,0 stars WELS Water rating
- Water consumption: 12.2 litres per wash with Cold water connection using the Eco Wash in accordance with AS/NZS 6400. AU WELS Registration Number: D02846. Energy consumption: 206 kWh per year, with Cold water connection using the Eco Wash program seven times per week. When tested in accordance with AS/NZS 2007.2. Actual energy use and running costs will depend on how you use the appliance.

### Design

- Anti Fingerprint Stainless Steel
- Stainless steel interior tub with 10 year rust through warranty
- SoftTouch buttons: Electronic soft-touch activated buttons
- Wash program status on display panel
- Vapor barrier plate included
- Time remaining display
- Toe kick panel included

### Wash Programs and Options

- 8 Wash Programs:
  - Eco Wash : Energy efficient wash & dry. Mixed loads & soil levels
  - Auto Intensive
  - Auto Wash
  - Auto Gentle
  - Short wash: quick wash & dry. Mixed loads & soil levels. 89 mins
  - Express wash: Wash only for lightly soiled dishes
  - ExtraQuiet: extended quiet wash & dry program for mixed loads & soil levels
  - Favourite: set or download your favourite combination (Pre-Rinse is set as default)
- 4 special options:
  - Remote Start: Connect to WiFi via HomeConnect
  - Extra Dry: Provides an even better drying result by extending the drying time.
  - HygienePlus: Hotter final rinse, for increased hygiene that helps to remove bacteria
  - SpeedPerfect: Reduces the wash time, and can be activated at any moment (even after the wash program has started) via the SpeedPerfect button or via WiFi using the Home Connect app
- Machine Care: Maintains your dishwasher's optimum performance and hygiene.

### Performance

- PerfectDry: A unique and energy efficient drying technology that harnesses the power of Zeolith which absorb moisture molecules to provide table ready, streak free glass and tableware. Perfect for drying items that are usually very difficult to dry in a dishwasher such as plastics and sensitive glassware
- DosageAssist: Maximises the effectiveness of detergent tablets. The tablet is dropped into a specially engineered tray and is completely dissolved. For superior cleaning performance and a quieter wash
- AutoBrilliance: Automatic detergent and rinse aid sensor

- 3 stage filter system, including an innovative micro filter with a corrugated design that conveniently helps to reduce the need to wash the filter and also helps to prevent blockages.
- Extra Quiet program noise level: 40 dB(A)
- Quiet operation: 42 dB(A)
- Home Connect WiFi connectivity
- Extra Clean Zone: Provides an even better cleaning result for items placed directly over the three rotating nozzles in the top basket
- EcoSilence Drive quiet and energy-efficient brushless motors (BLDC): Main Pump & Drain Pump. Variable water & spray pressure to achieve optimum cleaning results. Fast and extra quiet draining of water, no gargling sounds
- Heat Exchanger: Hygienic fully enclosed drying system - does not draw contaminated air (dust & allergens) from the dishwasher exterior. Reduces temperature shock, water & energy use.
- 5 spray levels for maximum water contact and optimum wash results

### Flexibility

- VarioDrawer™ Pro: Third loading level for cutlery & utensils
- Max Flex Pro basket system with red coloured touchpoints, easy to identify flexing & moving parts
- Anti-slip protection strips in top basket
- Smooth gliding low friction wheels in the bottom basket
- 8 foldable plate racks in bottom basket
- 2 foldable cup shelves in bottom basket
- Time delay start: Delay program start time by 1-24 hours to suit your schedule
- Rack Stopper to prevent derailing of bottom basket
- Rackmatic: the top basket can be adjusted to at various height levels to maximise convenience, and even utilised on an angle which helps prevent water pooling on the top of cups
- Smooth gliding basket wheels with ball bearings in the top basket
- 6 foldable plate racks in top basket
- 2 foldable cup shelves with soft silicone edges in top basket
- Glass rack in bottom basket for tall stemmed glasses
- Moveable cutlery basket in bottom basket
- Large item spray head: For washing extra large items such as baking trays and rangehood filters
- Vapor barrier plate included

### Safety

- Child door lock
- AquaStop Plus: Water supply device with lifetime anti-flood protection

### Appliance dimensions and weight

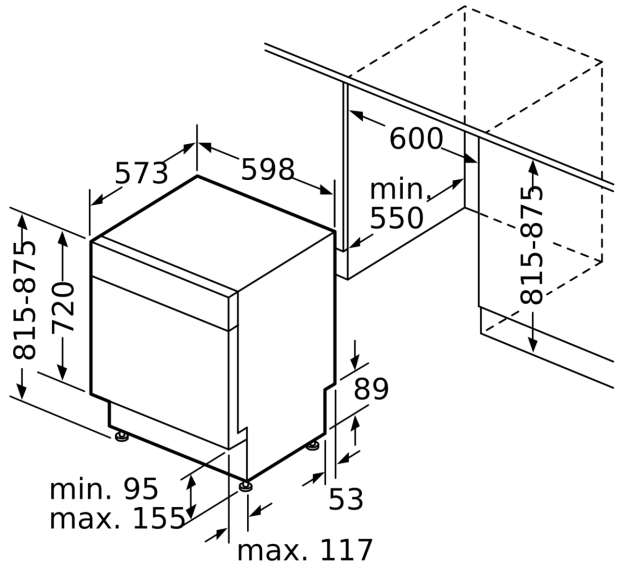
- Appliance dimensions (HxWxD): 81.5-87.5 cm x 59.8 cm x 57.3 cm
- Packaging dimensions (HxWxD): 88 cm x 66 cm x 67 cm
- Gross Weight: 49.5 kg

**Series 8, Built-under dishwasher, 60 cm, Stainless steel  
SMU8ZCS01A**

measurements in mm



socket  
( ) values with extension kit



measurements in m