

**Series 8, Washing machine, front loader, 10 kg, RPM 1600
WAX32K41AU**



The Serie|8 i-DOS washer with Home Connect and 4D Wash System with Intensive Plus provides spotless results with every load fully automatic.

- **i-DOS:** automatically measures the precise amount of detergent and water needed.
- **4D Wash System:** highly efficient water and detergent penetration for spotless results.
- **10kg VarioDrum:** enough space for big loads or large items
- **Active Water Plus:** For highly efficient use of water even with smaller loads thanks to automatic load detection.
- **EcoSilence Drive:** the efficient and highly durable washing machine motor.

Maximum capacity in kg (EU 2017/1369):	10.0 kg
Built-in / Free-standing:	Free-standing
Height of removable worktop:	-2 mm
Dimensions of the product:	848 x 598 x 590 mm
Net weight:	83.6 kg
Connection rating:	2300 W
Fuse protection:	10 A
Voltage:	220-240 V
Frequency:	50 Hz
Length electrical supply cord:	160.0 cm
Door hinge:	Left
Wheels:	No
EAN code:	4242005220984
Installation type:	Free-standing

- WMZ2200 Floor securing component
 WMZ2381 Extension for cold water inlet /Aquastop
 WMZPW20W Platform with pull-out, washer, cubic



Series 8, Washing machine, front loader, 10 kg, RPM 1600 WAX32K41AU

The Serie|8 i-DOS washer with Home Connect and 4D Wash System with Intensive Plus provides spotless results with every load fully automatic.

Capacity

- Capacity: 10 kg

Consumption rates

- 5 Star Energy Rating for washing performance
- Energy consumption 250 kWh kWh per year, based on Cottons Eco 60°C program at 1600 RPM seven times per week. When tested in accordance with AS/NZS 2040.2. Actual energy use and running costs will depend on how you use the appliance.
- 5 Water Stars (WELS) for washing performance
- Water consumption 72 l litres per wash, using the Cottons Eco 60°C program at 1600 RPM. In accordance with AS/NZS 6400. Actual water consumption will depend on how the appliance is used. AU WELS Registration Number: C01890

Programs

- Standard programs: Cottons Eco, Cottons Program cold to 90°C, Easy Care, AllergyPlus, Automatic 30°C wash, Drum Clean, shirts/blouses, Spin / Drain, quick wash/mixture, Sportswear, Rinse, Super 15 min / Super 30 min, Delicates/Silk cold to 40°C, delicates/silk, Wool Hand wash cold to 40°C
- Special Programs: Night Wash, AllergyPlus, Super 15/30 minute, Shirts/Blouses, Sportswear, Quick mixed, Spin/Drain, Rinse, and Drum clean with reminder
- iDos Automatic dosing system: Doses detergent from 1st reservoir and fabric softener only in 2nd reservoir, From front
- DrumClean with reminder function

Performance

- 4D Wash System: high efficient water and detergent distribution for spotless results.
- Maximum spin speed : 1600rpm
- EcoSilence drive for faster, quieter and more energy efficient performance
- Operating noise level for washing, Cotton 60 EcoPerfect, 1600 rpm at full load in dB (A): 48
- Operating noise level for spinning at standard 60°C cotton program at full loading in dB (A): 74
- VarioDrum's breakthrough wave-droplet design provides a thorough yet gentle clean for fine textiles
- ActiveWater Plus: for highly efficient use of water even with small loads thanks to automatic load detection.
- Turbidity sensor

Features

- TouchControl buttons: Temperature selection, Spin speed selection, SpeedPerfect, start/pause with reload function
- Automatic load detection for precise detection of loaded laundry to adjust automatically the amount of water is needed in every wash.
- Large LED-Display for programme status indication, temperature selection, max. spin speed, remaining time and 24 h end time delay, i-Dos selection and consumption indication

- Aqua Protection Plus anti-flood protection with self-sealing hose, minimises the risk of flooding
- Consumption Indication: Information about energy and water consumption
- Flow-through sensor
- Reload function to pause machine operation for adding forgotten laundry items
- Child lock
- Load weight display and detergent dosage recommendation
- Audiable end-of-cycle signal

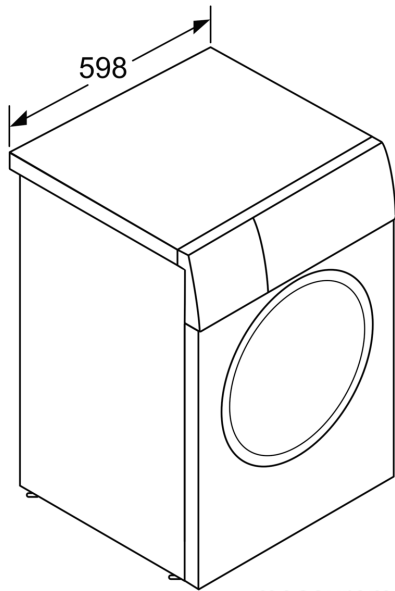
Design and Safety

- AntiVibration Side Panels reduce vibrations and ensure greater stability during the washing and spinning process
- 32 cm porthole, chrome, blackgrey with 171° opening door

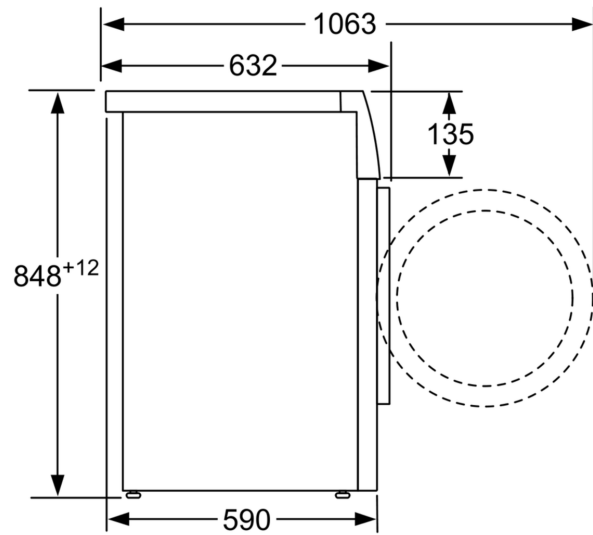
Technical Information

- 848 mm x 598 mm x 590 mm (652 mm with door frame)

**Series 8, Washing machine, front loader, 10 kg, RPM 1600
WAX32K41AU**



measurements in mm



measurements in mm