

**Series 8, Heat pump tumble dryer, 9 kg
WTX88MH0AU**



The AutoClean dryer with Smart Dry is the smartest way to do your laundry, as everything is done fully automatically.

- **AutoClean technology with no door filter:** skip the regular lint cleaning and maintain top energy efficiency.
- **SmartDry:** your dryer connects to the Home Connect washer and recommends the right drying program.
- **Sensitive Drying System:** for gentle drying without wrinkles.
- **Auto Dry:** automatically dries to the exact level of dryness you select.
- **AntiVibration Design:** extremely stable and extraordinarily quiet thanks to special vibration protection.

Built-in / Free-standing: Free-standing
 Removable top: No
 Door hinge: Right
 Length electrical supply cord: 145.0 cm
 Height of removable worktop: 0 mm
 Dimensions: 842 x 598 x 613 mm
 Net weight: 55.7 kg
 Fluorinated greenhouse gases: No
 Type of refrigerant: R290
 Hermetically sealed equipment: Yes
 EAN code: 4242005206971
 Connection rating: 600 W
 Fuse protection: 10 A
 Voltage: 220-240 V
 Frequency: 50 Hz
 Loading capacity: 9.0 kg
 Energy efficiency rating: A+++

- WMZ20600 Wool in basket - accessory
- WTZ27400 Stacking kit with pull-out shelf
- WTZ27410 Stacking kit
- WTZPW20D Platform with pull-out, dryer, cubic



Series 8, Heat pump tumble dryer, 9 kg WTX88MH0AU

The AutoClean dryer with Smart Dry is the smartest way to do your laundry, as everything is done fully automatically.

- Glass door

Safety

- Child lock

Technical Information

- 842 mm x 598 mm x 613 mm (652 mm with door frame)

Capacity

- Capacity: 9 kg

Consumption rates

- 8 Energy Stars

Programs

- Dryer Program options: AllergyPlus, Cottons, shirts/blouses, Smart Dry: a Bosch washing machine with Home Connect can automatically set the ideal drying program settings based on what it has just washed, Down wear, Delicates: items made from satin, synthetic or blended fabrics, Towels, with reversible drum, Mixed Load Program, Super 40 minute program: Mixed load of synthetic fabrics and light colours, Sportswear Program, Quilt/Duvet, Easy Care, Wool Finish - specialised wool drying function, Timed program warm
- Touch control buttons: Finished in - a 24 hour delayed start option, by selecting when the load is finished, Easy Iron 60' - Dryer will move laundry regularly to prevent creasing up to 60 mins, Easy Iron 120' - Dryer will move laundry regularly to prevent creasing up to 120 mins, Child lock 3 sec., Power button, Remote Start, Low Heat a reduced temperature for delicate fabrics like polyacrylic or elastane, may increase drying time., End Signal: activate or deactivate the audible signal at the end of the program, Start/Pause the program, Drying Level - an option for adjusting the degree of dryness, if the laundry is still too damp, there are 3 levels to select from., Drying Target: sets the desired dryness level with 3 levels, Cupboard Dry for regular items. Cupboard Dry Plus for thicker garments. Iron Dry for items that still need a to be a little damp after drying for ironing or hanging up,
- Smart Dry: a Bosch washing machine with Home Connect can automatically set the ideal drying program settings based on what it has just washed

Performance

- ActiveAir heat pump technology, existing heat is reused efficiently during the entire drying process
- Noise level: 62 dB (A)
- Automatic anti-crease cycle (120 minutes)

Features

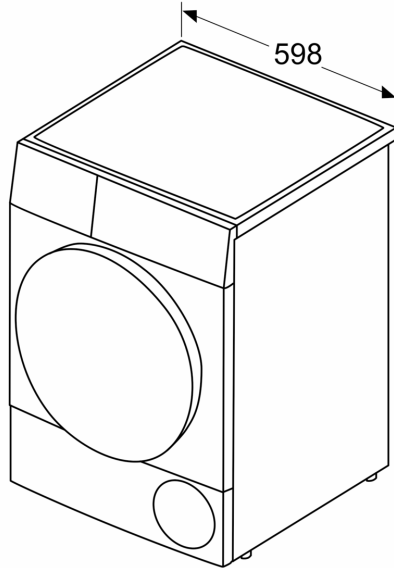
- Large LED-Display for remaining time and 24 h end time delay, program status indication, special functions.
- Low Heat option for delicate and synthetic fabrics
- Sensitive drying system: textile friendly drum design and SoftFlow paddles ensure soft, fluffy laundry and helps to reduce creasing
- Buzzer to indicate the end of cycle
- Time delay to select end of time of your wash (1-24 hours) and time remaining indicator

Design and Safety

- AntiVibration Side Panels reduce vibrations and ensure greater stability during the drying process.
- side opening door, hinge right
- Includes Drain kit

**Series 8, Heat pump tumble dryer, 9
kg
WTX88MH0AU**

Measurements in mm



Measurements in mm

