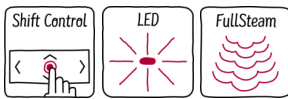


N 90, Built-in compact oven with steam function, Width 60 cm  
C17FS32H0B



Compact built-in oven with FullSteam - combining all heating types and steam cooking in a single oven in a very small space.

- ✓ ShiftControl - fast navigation through menus and simple operation with the TFT display.
- ✓ Baking and Roasting Assistant with Automatic Programmes - the duo for optimal baking at your command
- ✓ LED Lights - bright illumination exactly where you need it
- ✓ Soft Close with Soft Opening - the damping system cushions the door for gentle opening and closing
- ✓ FullSteam Oven: A full function oven and steamer in one. Use FullSteam to create healthy, succulent dishes with intense flavour.

#### Features

##### Technical Data

Color / Material Front : Stainless steel  
 Built-in / Free-standing : Built-in  
 Door opening : Drop down  
 Required niche size for installation (HxWxD) : 450-455 x 560-568 x 550  
 Dimensions : 455 x 596 x 548  
 Dimensions of the packed product (HxWxD) (mm) : 540 x 660 x 690  
 Control Panel Material : Stainless steel  
 Door Material : Glass  
 Net weight (kg) : 34.099  
 Approval certificates : CE, VDE  
 Length electrical supply cord (cm) : 150  
 EAN code : 4242004236108  
 Current (A) : 16  
 Voltage (V) : 220-240  
 Frequency (Hz) : 50; 60  
 Plug type : no plug  
 Approval certificates : CE, VDE  
 Number of cavities (2010/30/EC) : 1  
 Usable volume (of cavity) - NEW (2010/30/EC) : 47  
 Energy efficiency rating : A+  
 Energy consumption per cycle conventional (2010/30/EC) : 0.73  
 Energy consumption per cycle forced air convection (2010/30/EC) : 0.61  
 Energy efficiency index (2010/30/EC) : 81.3

#### Optional accessories

Z11SZ00X0 SeamlessCombination mounting kit  
 Z11SZ60X0 SeamlessCombination 45 + 14cm  
 Z11SZ90X0 SeamlessCombination 60 + 45cm  
 Z12CB10A0 Baking tray, anthracite enamelled  
 Z12CM10A0 Moussaka pan, anthracite enamelled  
 Z12CU10A0 Multipurpose pan, anthracite enamelled  
 Z13CV06S0 Decor strip  
 Z13TC10X0  
 Z13TC14X0 ComfortFlex Rail (1)&racks,45cm f. steam  
 Z1913X0 Baking Stone



*N 90, Built-in compact oven with steam function,  
Width 60 cm  
C17FS32H0B*

## Features

- Compact steam oven with 12 heating methods: Hot Air Bread Baking Full surface grill CircoTherm® Eco Centre area grill Top/bottom heating Top/bottom heating Eco CircoTherm® Intensive Low temperature cooking Bottom heating Circo-roasting Keep warm
- Additional heating methods with steam: FullSteam, Reheating, Dough Proving, Defrost setting
- Temperature range 40 °C - 250 °C
- Cavity volume: 47 net usable litres

### Design

- Anthracite enamel cavity with 3 shelf positions

### Cleaning

- EcoClean Direct : ceiling, back panel, side liners
- EcoClean program, EasyClean program

### Convenience

- 4.1" TFT colour and graphics display with ShiftControl
- Additional functions: Descaling program drying function
- Drop down door, SoftMove oven door with soft open and soft close, SoftOpen
- Bake and Roast assist, Automatic programs
- Number of automatic programmes: 30 PC
- Electronic clock with start / stop function
- Rapid heating-up: automatic
- LED lighting
- Large 1 litre water tank
- Water tank empty indicator
- Location of the steam generator is outside of the cavity
- Cooling fan
- Stainless-steel fan

### Hook-in racks / rails

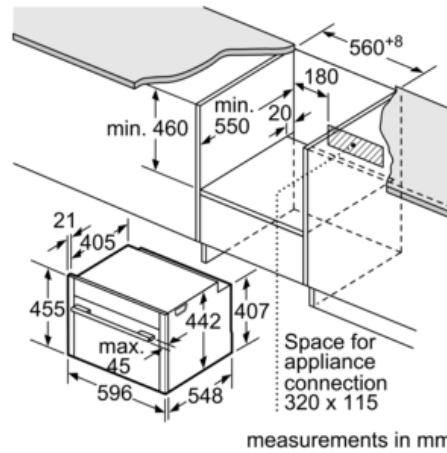
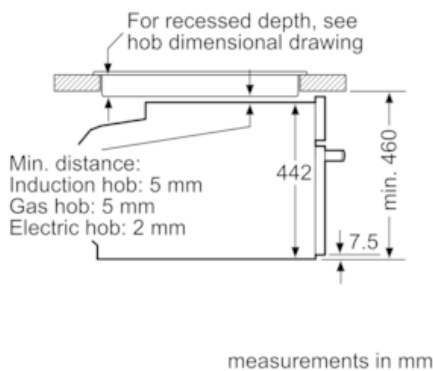
### Accessories

- 1 x steam container, punched, size S, 1 x steam container, punched, size XL, 1 x steam container, unpunched, size S, 1 x grid, 1 x universal pan
- Individual adjustable child lock Safety switch off Residual heat indicator Start button Door contact switch
- Length of mains cable: 150 cm
- Appliance dimensions (HxWxD): 455 mm x 596 mm x 548 mm
- Please reference the built-in dimensions provided in the installation drawing

N 90, Built-in compact oven with steam function,  
Width 60 cm  
C17FS32H0B

Dimensioned drawings

Installation with a hob.



If the compact appliance will be installed underneath a hob, the following worktop thicknesses (including substructure if necessary) must be taken into account.

Hob type	min. worktop thickness	
	fitted	flush
Induction hob	42 mm	43 mm
Full surface Induction hob	52 mm	53 mm
Gas hob	32 mm	43 mm
Electric hob	32 mm	35 mm

