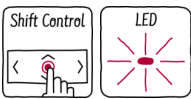


N 70, Built-in compact oven with microwave function, Width  
60 cm  
C17MR02NOB



Compact built-in oven with integral microwave - even more ways to cook quickly and conveniently in a very small space.

- ✓ Combined microwave and oven - the convenient solution to save space and time
- ✓ ShiftControl - fast navigation through menus and simple operation with the TFT display.
- ✓ LED Lights - bright illumination exactly where you need it
- ✓ Soft Close with Soft Opening - the damping system cushions the door for gentle opening and closing

#### Features

##### Technical Data

Type of micro-wave oven : MW-Combi  
 Type of control : Electronic  
 Color / Material Front : Stainless steel  
 Dimensions : 455 x 596 x 548  
 Cavity dimensions (mm) : 237.0 x 480 x 392.0  
 Length electrical supply cord (cm) : 150  
 Net weight (kg) : 35.333  
 Gross weight (kg) : 37.6  
 EAN code : 4242004182177  
 Maximum micro-wave power (W) : 900  
 Connection Rating (W) : 3600  
 Current (A) : 16  
 Voltage (V) : 220-240  
 Frequency (Hz) : 60; 50  
 Plug type : no plug

#### Optional accessories

Z11SZ00X0 SeamlessCombination mounting kit  
 Z11SZ60X0 SeamlessCombination 45 + 14cm  
 Z11SZ90X0 SeamlessCombination 60 + 45cm  
 Z12CB10A0 Baking tray, anthracite enamelled  
 Z12CM10A0 Moussaka pan, anthracite enamelled  
 Z12CU10A0 Multipurpose pan, anthracite enamelled  
 Z13CV06S0 Decor strip  
 Z1913X0 Baking Stone



*N 70, Built-in compact oven with microwave  
function, Width 60 cm  
C17MR02NOB*

## Features

### Heating Functions

- Compact oven with microwave with 6 heating methods: Hot Air Full surface grill CircoTherm® Eco Centre area grill Circo-roasting Plate warming
- Additional heating methods with microwave: Pure microwave, Combination microwave and conventional oven
- Max. Power: 900 W; 5 Microwave power settings (90 W, 180 W, 360 W, 600 W, 900 W) with Inverter (MW)
- Intelligent inverter technology: maximum output power will be regulated to 600 W when used in longer operation
- Cavity volume: 45 net usable litres

### Design

- Anthracite enamel cavity with 3 shelf positions

### Cleaning

### Convenience

- 2.5" colour and text Display with ShiftControl
- Drop down door, SoftMove oven door with soft open and soft close, SoftOpen
- Automatic programs
- Number of automatic programmes: 14 PC
- Electronic clock with start / stop function
- Rapid heating-up: automatic
- LED lighting
- Cooling fan
- Stainless-steel fan

### Hook-in racks / rails

### Accessories

- 1 x universal pan, 1 x combination grid

### Safety and Environment

- Individual adjustable child lock Safety switch off Residual heat indicator Start button Door contact switch

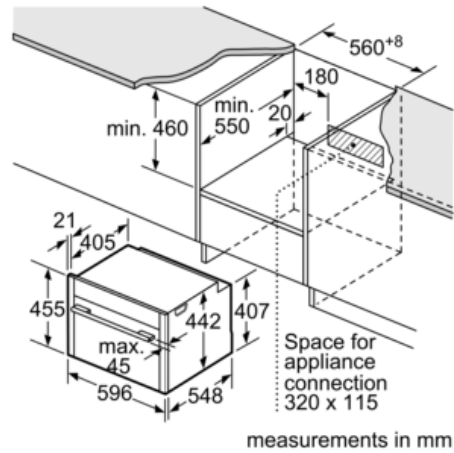
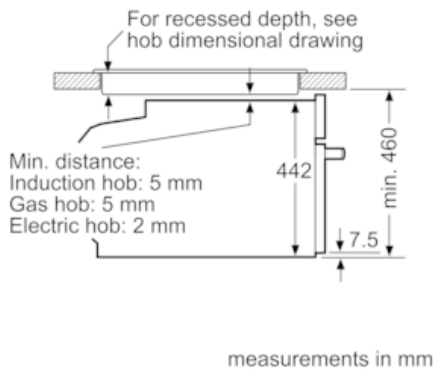
### Technical Info

- Length of mains cable: 150 cm
- Total connected load electric: 3.6 KW
- Appliance dimensions (HxWxD): 455 mm x 596 mm x 548 mm
- Installation dimensions (HxWxD): 450 mm - 455 mm x 560 mm - 568 mm x 550 mm
- Please reference the built-in dimensions provided in the installation drawing

N 70, Built-in compact oven with microwave function, Width 60 cm  
C17MR02NOB

Dimensioned drawings

Installation with a hob.



If the compact appliance will be installed underneath a hob, the following worktop thicknesses (including substructure if necessary) must be taken into account.

Hob type	min. worktop thickness	
	fitted	flush
Induction hob	42 mm	43 mm
Full surface Induction hob	52 mm	53 mm
Gas hob	32 mm	43 mm
Electric hob	32 mm	35 mm

