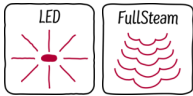


N 90, Built-in compact oven with steam function, Width 60
cm
C18FT56H0B



- ✓ Baking and Roasting Assistant with Automatic Programmes - the duo for optimal baking at your command
- ✓ LED Lights - bright illumination exactly where you need it
- ✓ Soft Close with Soft Opening - the damping system cushions the door for gentle opening and closing
- ✓ FullSteam Oven: A full function oven and steamer in one. Use FullSteam to create healthy, succulent dishes with intense flavour.

Features

Technical Data

Color / Material Front : Stainless steel
 Built-in / Free-standing : Built-in
 Door opening : Drop down
 Required niche size for installation (HxWxD) : 450-455 x 560-568 x 550
 Dimensions : 455 x 596 x 548
 Dimensions of the packed product (HxWxD) (mm) : 540 x 660 x 690
 Control Panel Material : Stainless steel
 Door Material : Glass
 Net weight (kg) : 34.977
 Approval certificates : CE, VDE
 Length electrical supply cord (cm) : 150
 EAN code : 4242004236412
 Current (A) : 16
 Voltage (V) : 220-240
 Frequency (Hz) : 50; 60
 Plug type : no plug
 Approval certificates : CE, VDE
 Number of cavities (2010/30/EC) : 1
 Usable volume (of cavity) - NEW (2010/30/EC) : 47
 Energy efficiency rating : A+
 Energy consumption per cycle conventional (2010/30/EC) : 0.73
 Energy consumption per cycle forced air convection (2010/30/EC) : 0.61
 Energy efficiency index (2010/30/EC) : 81.3

Optional accessories

Z11SZ00X0 SeamlessCombination mounting kit
 Z11SZ60X0 SeamlessCombination 45 + 14cm
 Z11SZ90X0 SeamlessCombination 60 + 45cm
 Z12CB10A0 Baking tray, anthracite enamelled
 Z12CM10A0 Moussaka pan, anthracite enamelled
 Z12CU10A0 Multipurpose pan, anthracite enamelled
 Z13CV06S0 Decor strip
 Z13TC10X0
 Z13TC14X0 ComfortFlex Rail (1)&racks,45cm f. steam



*N 90, Built-in compact oven with steam function,
Width 60 cm
C18FT56H0B*

Features

- Compact steam oven with 13 heating methods: Hot Air Bread Baking Full surface grill CircoTherm® Eco Centre area grill Top/bottom heating Top/bottom heating Eco CircoTherm® Intensive Low temperature cooking Bottom heating Circo-roasting Plate warming Keep warm
- Additional heating methods with steam: FullSteam, Reheating, Dough Proving, Defrost setting, sous-vide cooking
- Temperature range 40 °C - 250 °C
- Cavity volume: 47 net usable litres

Design

- Anthracite enamel cavity with 3 shelf positions

Cleaning

- EcoClean Direct : ceiling, back panel, side liners
- EcoClean program, EasyClean program

Convenience

- 5.7" TFT colour and graphics Display with FullTouch control
- Additional functions: Descaling program drying function
- Drop down door, SoftMove oven door with soft open and soft close, SoftOpen
- Bake and Roast assist, Automatic programs
- Number of automatic programmes: 30 PC
- MultiPoint MeatProbe
- Electronic clock with start / stop function
- Rapid heating-up: automatic
- LED lighting
- Large 1 litre water tank
- Water tank empty indicator
- Location of the steam generator is outside of the cavity
- Cooling fan
- Stainless-steel fan
- HomeConnect ready on WLAN

Hook-in racks / rails

Accessories

- 1 x steam container, punched, size S, 1 x steam container, punched, size XL, 1 x steam container, unpunched, size S, 1 x grid, 1 x universal pan

Safety and Environment

- Individual adjustable child lock Safety switch off Residual heat indicator Start button Door contact switch

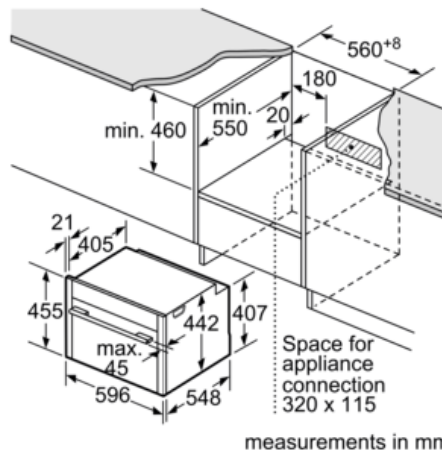
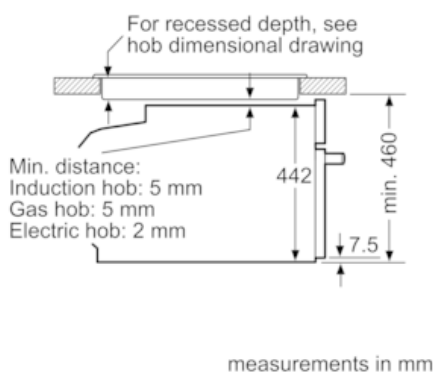
Technical Info

- Length of mains cable: 150 cm
- Appliance dimensions (HxWxD): 455 mm x 596 mm x 548 mm
- Please reference the built-in dimensions provided in the installation drawing

N 90, Built-in compact oven with steam function,
 Width 60 cm
 C18FT56H0B

Dimensioned drawings

Installation with a hob.



If the compact appliance will be installed underneath a hob, the following worktop thicknesses (including substructure if necessary) must be taken into account.

Hob type	min. worktop thickness	
	fitted	flush
Induction hob	42 mm	43 mm
Full surface Induction hob	52 mm	53 mm
Gas hob	32 mm	43 mm
Electric hob	32 mm	35 mm

