

#### Color Variants

CI272101

#### Optional accessories

CA051300

Teppan Yaki made of multi ply material

CA052300

CA060300

CA230100

Black magnetic knob for induction cooktop 200 series

GP900001

Stainless steel frying sensor pan.

GP900002

Stainless steel frying sensor pan.

GP900003

Stainless steel frying sensor pan.

#### Product Features

Product name / series name

Cooking zone ceramic

Construction type

Built-in

Energy source

Electric

Total number of cooktop burners

4

Type of control

Required cutout size (HxWxD) (mm)

Width of the product (mm)

684

Overall appliance dimensions (HxWxD) (mm)

56 x 684 x 512

Product packaging dimensions (HxWxD) (mm)

126 x 953 x 608

Net weight (kg)

17.110

Gross weight (kg)

18.6

Residual heat indicator

Separate

Location of control panel

Cooktop front

Type of external control possibility

Basic surface material

Ceramic

Color of surface

Black

Color of frame

Approval certificates

AENOR, CE

Power cord length (cm)

150

Knob Material

Full metal

Sealed Burners

No

Burners with booster

All

Type of grate

Total BTU load

LP Gas Connection Rating (BTU)

Dimension of 1st heating element (in)

Power of heating element (kW)

Power of 1st burner (BTU)

Dimension of 2nd heating element (in)

Power of 2nd heating element (kW)

2.2

Power of 2nd burner (BTU)

Dimension of 3rd heating element (in)

Power of 3rd heating element (kW)

Power of 3rd burner (BTU)

Dimension of 4th heating element (in)

Power of 4th heating element (kW)

Power of 4th burner (BTU)

Dimension of 5th heating element (in)

Power of 5th heating element (kW)

Power of 5th burner (BTU)

Dimension of 6th heating element (in)

Power of heating element (kW in boost)

[3.7]

Power of 2nd heating element (kW in boost)

3.7

Power of 3rd heating element (kW in boost)

3.7

Power of 4th heating element (kW in boost)

3.7

Power of 5th heating element (kW in boost)

3.7

Power of 6th heating element (kW in boost)

3.7

Power of 6th heating element (kW in boost)

3.7

Power of 6th heating element (kW in boost)

3.7

Power of 6th heating element (kW in boost)

3.7

Consumption and connection features

Watts (W)

7400

Gas connection rating (W)

Current (A)

Volts (V)

220-240

Frequency (Hz)

50; 60

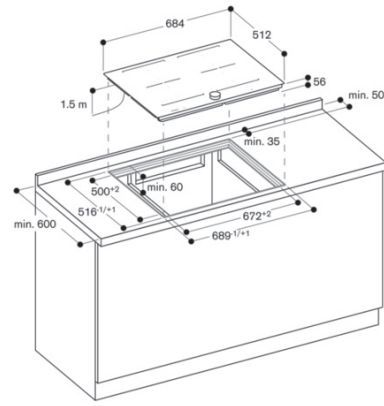
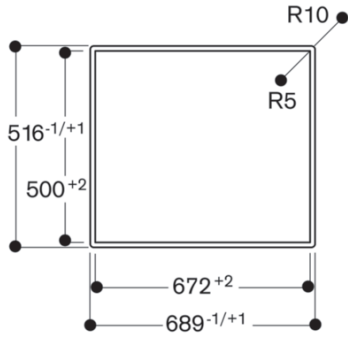
UPC code

Variant color

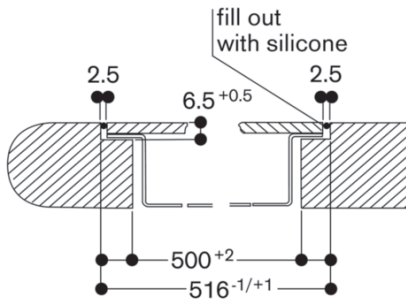
Black

# GAGGENAU

View from above



Fill up



Lengthwise cut

