

CS 7101 FL

SmartLine element
with a dual wok burner

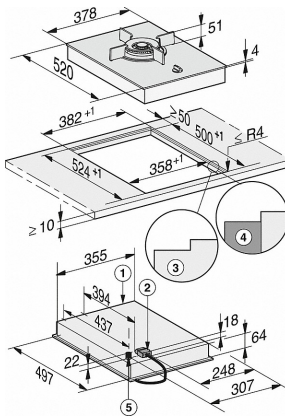
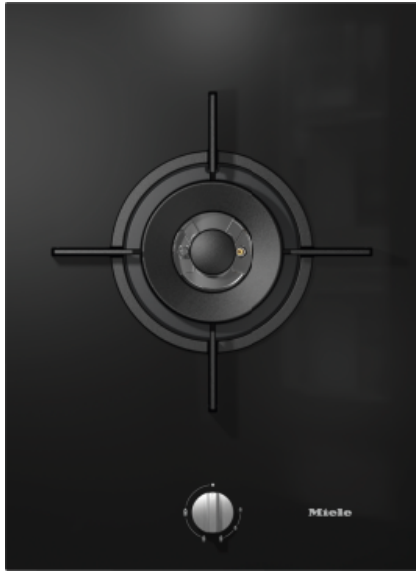


- Simple controls – single-handed operation via rotary dial control
- Elegant design – for flush or raised installation
- Seamlessly integrates with any SmartLine element
- Broad performance spectrum – dual wok with up to 4.5 kW of power
- Easy cleaning – dishwasher-safe ComfortClean pot rests

Heating type	
Heating type	Gas
Design	
Ceramic surface colour	Black
Flush-fit installation	•
Cooking zone details	
Number of cooking zones	1
Cooking zone	
Position	Centred
Type	Dual wok burner
Size in mm	Ø 300
Max. rating in W	4500
User convenience	
Operation via sensor controls	Knob
Operation via knobs	•
Electronic ignition with single-hand operation	•
Cleaning convenience	
Easy to clean ceramic glass	•
Dishwasher-proof pot rests	•
Safety	
GasStop	•
Technical data	
Dimensions in mm (width)	378
Dimensions in mm (height)	92
Casing height incl. connection box in mm	92
Dimensions in mm (depth)	520
Cutout dimensions in mm (width) with surface-mounted installation	358
Cutout dimensions in mm (depth) with surface-mounted installation	500
Internal cutout dimensions in mm (width) with flush installation	358
Internal cutout dimensions in mm (depth) with flush installation	500
External cutout dimensions in mm (width) with flush installation	382
External cutout dimensions in mm (depth) with flush installation	524
Weight in kg	7
Total rated load in kW	4.5
Voltage in V	230
Connection cable length in m	2.0
Standard accessories	
Mains cable	•
Wok ring	•

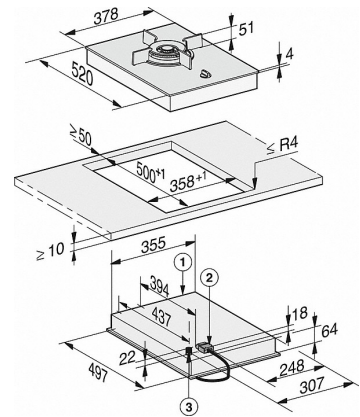
CS 7101 FL

SmartLine element
with a dual wok burner



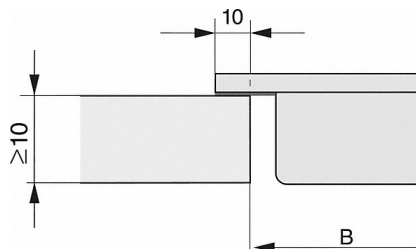
CS 7101 FL flush (installation drawing)

- 1) Front
- 2) Mains connection box with mains connection cable, L = 2000 mm
- 3) Stepped cut-out
- 4) Wooden frame 12 mm (supplied loose)
- 5) Gas connection R 1/2 - ISO 7-1 (DIN EN 10226)

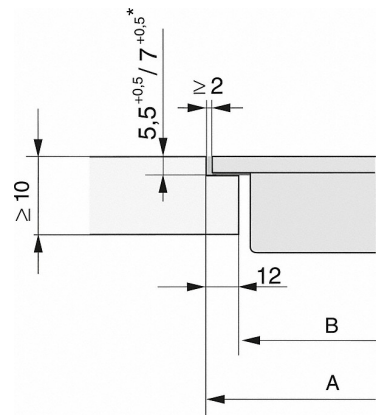


CS 7101 FL (installation drawing)

- 1) Front
- 2) Mains connection box with mains connection cable, L = 2000 mm
- 3) Gas connection R 1/2 - ISO 7-1 (DIN EN 10226)



CS 7000 FL (Installation drawing)

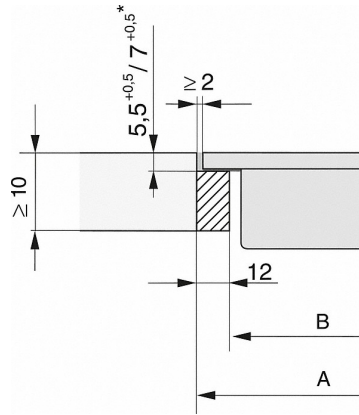


CS 7000 FL, flush (Installation drawing)

*7+0,5 = CS7611 (Wok)

CS 7101 FL

SmartLine element
with a dual wok burner



CS 7000 FL, flush (Installation drawing)

*7+0,5 = CS7611 (Wok)