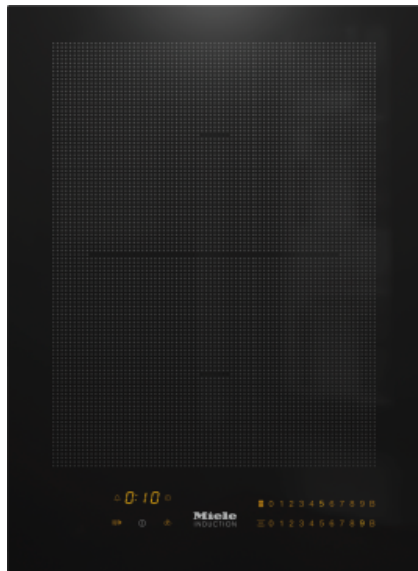


CS 7612 FL

SmartLine element

with induction PowerFlex cooking zone



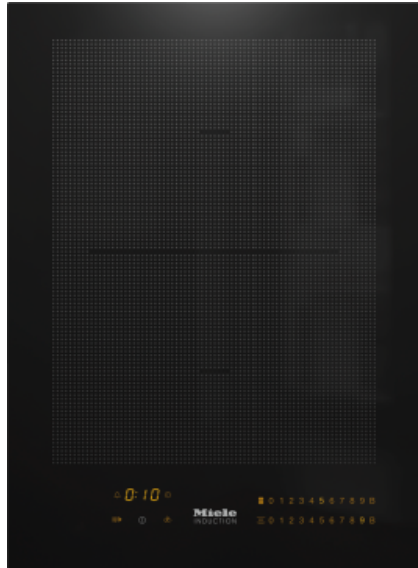
- Intuitive and quick selection via number sequences – Smart Select
- Elegant design – for flush or raised installation
- Seamlessly integrates with any SmartLine element
- Versatile and fast – 2 cooking zones incl. 1 PowerFlex area
- Shortest heating-up times – TwinBooster

Heating type	
Heating type	Induction
Design	
Ceramic surface colour	Black
Flush-fit installation	•
Cooking zone details	
Number of cooking zones	2
PowerFlex cooking zone	
Max. Booster power rating in W	3000
Max. TwinBooster power rating in W	3650
Cooking zone	
Position	Centred
Type	PowerFlex
Size in mm	230x390
Max. rating in W	2100
Max. Booster power rating in W	3000
Max. TwinBooster power rating in W	3650
User convenience	
Operation via sensor controls	Smart Select
Pan and pan size recognition	•
Stop & Go function	•
Minute minder	•
Auto heat-up	•
Keeping warm	•
Individual setting options (e.g. buzzers)	•
Cleaning convenience	
Easy to clean ceramic glass	•
Safety	
Safety switch-off	•
Lock function	•
System lock	•
Integrated cooling fan	•
Overheating protection	•
Residual heat indicator	•

CS 7612 FL

SmartLine element

with induction PowerFlex cooking zone

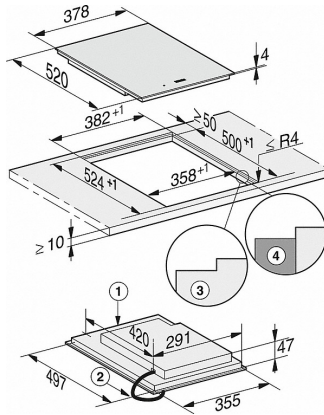
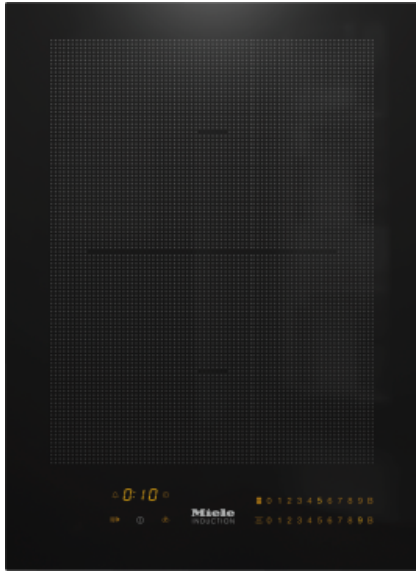


Technical data	
Dimensions in mm (width)	378
Dimensions in mm (height)	51
Casing height incl. connection box in mm	51
Dimensions in mm (depth)	520
Cutout dimensions in mm (width) with surface-mounted installation	358
Cutout dimensions in mm (depth) with surface-mounted installation	500
Internal cutout dimensions in mm (width) with flush installation	358
Internal cutout dimensions in mm (depth) with flush installation	500
External cutout dimensions in mm (width) with flush installation	382
External cutout dimensions in mm (depth) with flush installation	524
Weight in kg	7
Total rated load in kW	3.6
Voltage in V	230
Connection cable length in m	1.5
Standard accessories	
Mains cable	•

CS 7612 FL

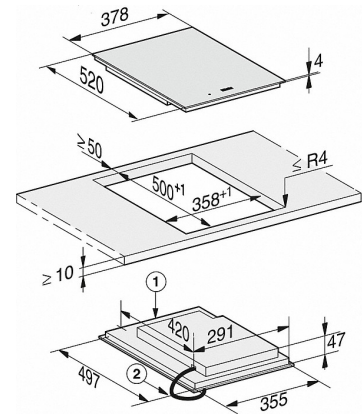
SmartLine element

with induction PowerFlex cooking zone



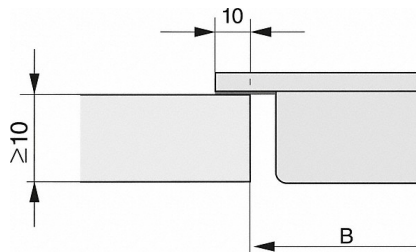
CS 7612 FL, flush (installation drawing)

- 1) Front
- 2) Mains connection cable, L = 2000 mm
- 3) Stepped cut-out
- 4) Wooden Frame 12 mm (supplied loose)

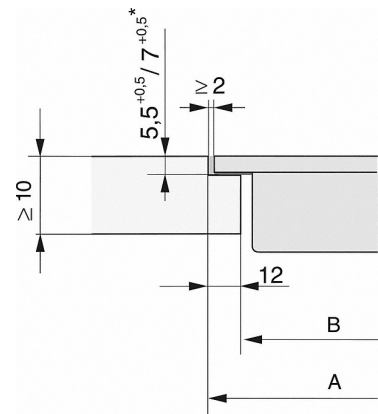


CS 7612 FL, (installation drawing)

- 1) Front
- 2) Mains connection cable, L = 2000 mm



CS 7000 FL (Installation drawing)



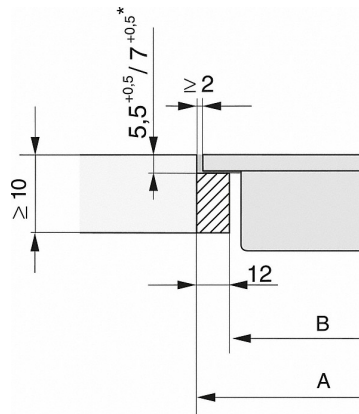
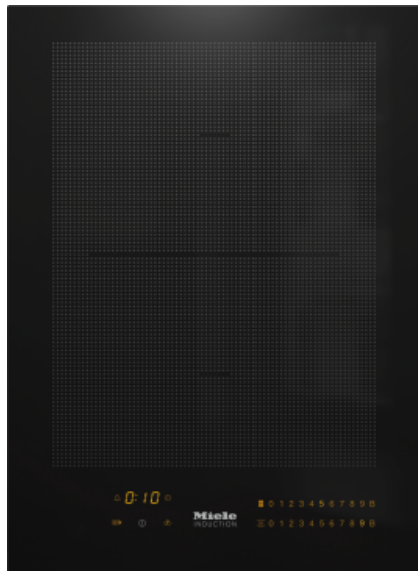
CS 7000 FL, flush (Installation drawing)

*7+0,5 = CS7611 (Wok)

CS 7612 FL

SmartLine element

with induction PowerFlex cooking zone



CS 7000 FL, flush (Installation drawing)

*7+0,5 = CS7611 (Wok)