



**CX482111**  
**Full surface induction cooktop 400 series**  
**Black glass ceramic**  
**Stainless steel frame**  
**Width 80 cm**

One single big cooking surface  
Free positioning of cookware  
All sizes and formats of cookware can be used  
TFT touch display for an intuitive control of all functions  
Cooking sensor function for temperature control in pots  
Professional cooking functions  
Max. power output for big cookware of up to 5.5 KW  
Precision crafting of 3 mm stainless steel  
For surface mounting with a visible edge or for flush mounting  
Can be combined perfectly with other Vario appliances of the 400 series

**Cooking zones**  
One unique cooking surface of 2750 cm<sup>2</sup>.  
Up to 5 items of cookware can be placed simultaneously on the cooktop.

**Handling**  
Easy to use colour graphic TFT touch display with use indications.  
Electronic power control in 17 cooking power levels.

**Features**  
Cooking sensor function.  
Professional cooking function.  
Dynamic cooking function.  
Teppan Yaki function.  
Booster function for pots.  
Booster function for pans.  
Keep warm function.  
Individual pot detection.  
Cooking timer for each cooking position.  
Stopwatch.  
Short-term timer.  
Information key with use indicators.  
Power management.  
Cooktop-based ventilation control (with suitable hood).  
Home network integration for digital services (Home Connect) wireless via WiFi.  
The use of the Home Connect functionality depends on the Home Connect services, which are not available in every country. For further information please check: [home-connect.com](http://home-connect.com).

**Safety**  
Main switch.  
Residual heat indication.  
Child lock.  
Safety shut-off.  
Pause function.

**Planning notes**  
Depending on the type of installation (surface-mounted or flush-mounted), the specific definition of the cut-out must be observed.  
If combining several Vario appliances of the 400 series, a connection strip VA 420 must be placed between the appliances. Depending on the type of installation, the corresponding connection strip must be provided.  
The bearing capacity and stability, in the case of thin worktops in particular, must be supported using suitable substructures. Take into account the appliance weight and additional loads. Additional instructions for flush mounting:

**Characteristics**  
**Product name/family**  
Cooking zone ceramic  
**Construction type**  
Built-in  
**Energy input**  
Electric  
**Total number of positions that can be used at the same time**  
5  
**Type of control setting devices**  
**Required niche size for installation (HxWxD)**  
65 x 784-784 x 492-492  
**Width of the appliance**  
804  
**Dimensions**  
65 x 804 x 520  
**Dimensions of the packed product (HxWxD)**  
152 x 951 x 636  
**Net weight**  
27.120  
**Gross weight**  
29.0  
**Residual heat indicator**  
Separate  
**Location of control panel**  
Hob front  
**Type of external control possibility**  
**Basic surface material**  
**Color of surface**  
Black, Stainless steel  
**Color of frame**  
Stainless steel  
**Approval certificates**  
AENOR, CE  
**Length electrical supply cord**  
150  
**EAN code**  
4242006294809  
**Electrical connection rating**  
7400  
**Gas connection rating**  
**Fuse protection**  
**Voltage**  
220-240  
**Frequency**  
50-60

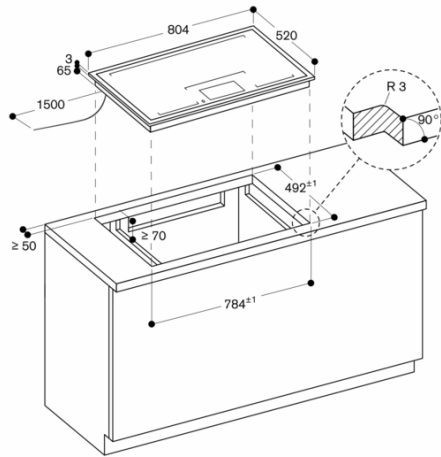
**Consumption and connection features**  
**2022-01-11**  
**Page 1**

Installation is possible in worktops made of stone, synthetics or solid wood. Heat resistance and watertight sealing of the cut edges must be observed. Concerning other materials please consult the worktop manufacturer.  
The groove must be continuous and even, so that uniform placing of the appliance on the gasket is ensured. Do not use discontinuous lining.  
The joint width may vary due to size tolerances of the combinations and of the worktop cut-out.  
If installing several appliances in individual cut-outs allow for a division bar of minimum 50 mm between the individual cut-outs.  
Operates with magnetic (induction) iron pots and pans only. For an optimal heat distribution, the use of sandwich bottom cookware is recommended.  
The wok pan WP 400 001 cannot be used with this appliance.  
Appliance can be snapped into the worktop from above.  
Appliance weight: approx. 27. kg  
**Connection**  
Total connected load 7.4 KW.  
Connecting cable 1.5 m without plug.

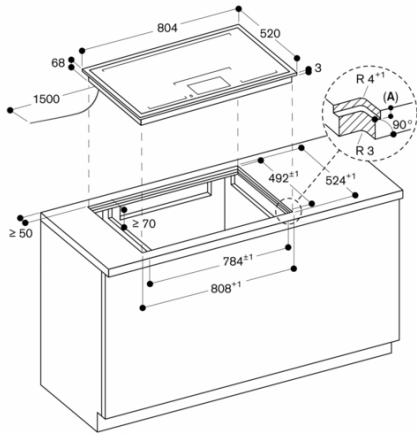
**Color Variants**  
**CX482111**  
**Black glass ceramic**  
**Stainless steel frame**

**Included accessories**  
1 x wireless temperature sensor for cooktop.

CX482111  
 Full surface induction cooktop 400 series  
 Black glass ceramic  
 Stainless steel frame  
 Width 80 cm  
 2022-01-11  
 Page 2

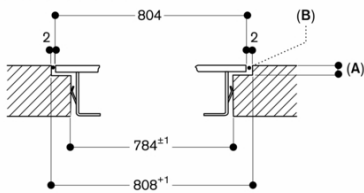


measurements in mm



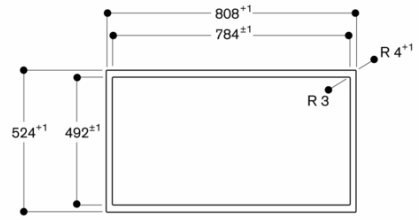
A: 3.5<sup>0.5</sup>  
 measurements in mm

Longitudinal section



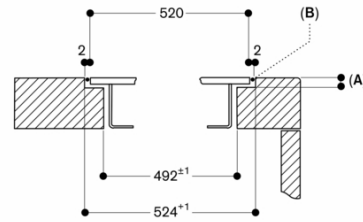
A: 3.5<sup>0.5</sup>  
 B: Fill with silicone  
 measurements in mm

View from above



measurements in mm

Cross-section



A: 3.5<sup>0.5</sup>  
 B: Fill with silicone  
 measurements in mm