



CX492101
Full surface induction cooktop 400 series
Black glass ceramic
Frameless
Width 90 cm

One single big cooking surface
Free positioning of cookware
All sizes and formats of cookware can be used
TFT touch display for an intuitive control of all functions
Cooking sensor function for temperature control in pots
Professional cooking functions
Max. power output for big cookware of up to 5.5 KW
Frameless for flush mounting

Cooking zones

One unique cooking surface of 3200 cm².
Up to 6 items of cookware can be placed simultaneously on the cooktop.

Handling

Easy to use colour graphic TFT touch display with use indications.
Electronic power control in 17 cooking power levels.

Features

Cooking sensor function.
Professional cooking function.
Dynamic cooking function.
Teppan Yaki function.
Booster function for pots.
Booster function for pans.
Keep warm function.
Individual pot detection.
Cooking timer for each cooking position.
Stopwatch.
Short-term timer.
Information key with use indicators.
Power management.
Cooktop-based ventilation control (with suitable hood).
Home network integration for digital services (Home Connect) wireless via WiFi.
The use of the Home Connect functionality depends on the Home Connect services, which are not available in every country. For further information please check: home-connect.com.

Safety

Main switch.
Residual heat indication.
Child lock.
Safety shut-off.
Pause function.

Planning notes

Operates with magnetic (induction) iron pots and pans only. For an optimal heat distribution, the use of sandwich bottom cookware is recommended. The wok pan WP 400 001 cannot be used with this appliance.
Installation is possible in worktops made of stone, synthetics or solid wood. Heat resistance and watertight sealing of the cut edges must be observed. Concerning other materials please consult the worktop manufacturer.
The bearing capacity and stability, in the case of thin worktops in particular, must be supported using suitable substructures. Take into account the appliance weight and additional loads. The groove must be continuous and even, so that uniform placing of the appliance on the gasket is ensured. Do not use discontinuous lining.
Appliance must be fixed from underneath.

Characteristics

Product name/family
Cooking zone ceramic

Construction type
Built-in

Energy input
Electric

Total number of positions that can be used at the same time
6

Type of control setting devices

Required niche size for installation (HxWxD)

Width of the appliance
908

Dimensions
76 x 908 x 520

Dimensions of the packed product (HxWxD)
126 x 1073 x 608

Net weight
30.543

Gross weight
32.7

Residual heat indicator
Separate

Location of control panel
Hob front

Type of external control possibility

Basic surface material

Color of surface
Black

Color of frame

Approval certificates
AENOR, CE

Length electrical supply cord
150

EAN code
4242006294298

Electrical connection rating
7400

Gas connection rating

Fuse protection

Voltage
220-240

Frequency
50-60

Consumption and connection features

2022-01-10
Page 1

Joint width may vary due to dimensional tolerances of the glass ceramic cooktop and the worktop cut-out.
Appliance weight: approx. 31. kg

Connection

Total connected load 7.4 KW.
Connecting cable 1.5 m without plug.
Power consumption standby/display off 0.5 W.
Power consumption standby/network 2.0 W.
Please check the user manual for how to switch off the WiFi module.

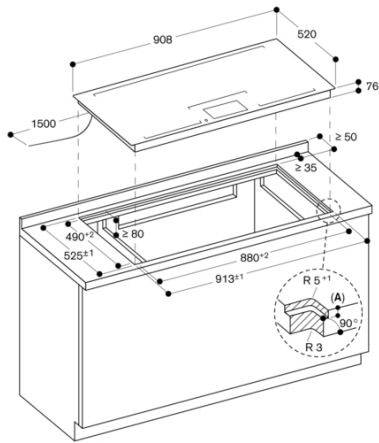
Color Variants

CX492101
Black glass ceramic
Frameless

Included accessories

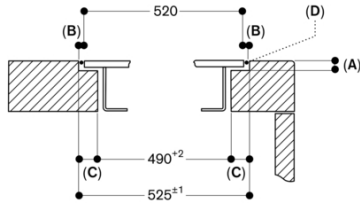
1 x wireless temperature sensor for cooktop.

CX492101
 Full surface induction cooktop 400 series
 Black glass ceramic
 Frameless
 Width 90 cm
 2022-01-10
 Page 2



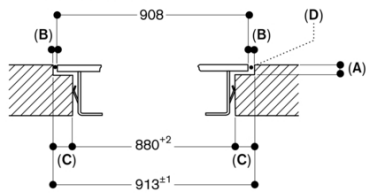
A: $6.5^{+0.5}$
 measurements in mm

Cross-section



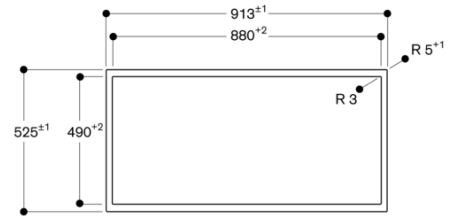
A: $6.5^{+0.5}$
 B: 2.5
 C: 17.5
 D: Fill with silicone
 measurements in mm

Longitudinal section



A: $6.5^{+0.5}$
 B: 2.5
 C: 16.5
 D: Fill with silicone
 measurements in mm

View from above



measurements in mm