

DA 6498 W Pure Black

Wall mounted rangehood

with energy-efficient LED lighting and touch controls for simple operation.



- Lots of headroom – 899mm wide with an exclusive glass design
- Unique user convenience – Con@ctivity
- Powerful – 830m³/h on the booster setting
- Energy-efficient and quiet – powerful ECO motor
- Safe and easy to clean – Miele CleanCover

Construction type	
Wall-mounted rangehood	•
Design	
Colour	Obsidian black
Edge extraction	•
Operating modes	
Type of air guide	Convertible
Active charcoal filter (order separately)	DKF25-1
User convenience	
Networking with Miele@home	•
Automatic function Con@ctivity 3.0 (WiFi)	•
Electronic controls	•
Touch-on-glass controls	•
Miele@mobile app	•
Power levels (number without Booster level)	3
Booster level	•
Programmable Booster level switch-off	•
Run-on time 5 / 15 min.	•
Grease filter saturation indicator programmable	•
Active charcoal filter saturation indicator programmable	•
Cleaning convenience	
Easy-to-clean canopy interior – CleanCover	•
Efficiency and sustainability	
ECO package	•
Filter system	
Number of dishwasher safe stainless steel grease filters	1
Lighting	
LED	•
Light intensity in Lx	440
Colour temperature in K	3,500
Dimmer function	•
Fan	
Dual-action fan	•
ECO motor (DC motor)	•

DA 6498 W Pure Black

Wall mounted rangehood

with energy-efficient LED lighting and touch controls for simple operation.



Air throughput with max. duct diameter in extraction mode (not for external version)	
Air throughput in Level 1 (m ³ /h)	300
Air throughput in Level 2 (m ³ /h)	450
Air throughput in Level 3 (m ³ /h)	610
Air throughput in Booster level (m ³ /h)	830
Sound power in Level 1 (dB(A) re 1 pW)	47
Sound power in Level 2 (dB(A) re 1 pW)	57
Sound power in Level 3 (dB(A) re 1 pW)	64
Sound power in Booster level (dB(A) re 1 pW)	71
Sound pressure in Level 1 (dB(A) re 20 µPa)	32
Sound pressure in Level 2 (dB(A) re 20 µPa)	42
Sound pressure in Level 3 (dB(A) re 20 µPa)	64
Sound pressure in Booster level (dB(A) re 20 µPa)	71
Air throughput in recirculation mode	
Air throughput in Level 1 (m ³ /h)	220
Air throughput in Level 2 (m ³ /h)	350
Air throughput in Level 3 (m ³ /h)	410
Air throughput in Booster level (m ³ /h)	550
Sound power in Level 1 (dB(A) re 1 pW)	53
Sound power in Level 2 (dB(A) re 1 pW)	62
Sound power in Level 3 (dB(A) re 1 pW)	65
Sound power in Booster level (dB(A) re 1 pW)	72
Sound pressure in Level 1 (dB(A) re 20 µPa)	38
Sound pressure in Level 2 (dB(A) re 20 µPa)	47
Sound pressure in Level 3 (dB(A) re 20 µPa)	50
Sound power in Booster level (dB(A) re 1 pW)	57
Safety	
Safety switch-off	•
Single pane tempered glass	•
Technical data	
Overall height for extraction mode and external mode cooker hoods in mm	550
Overall height for recirculation mode cooker hoods in mm	550
Canopy width in mm	899
Canopy height in mm	550
Canopy depth in mm	530
Net weight in kg	25.0
Length of supply lead in m	1.5
Standard plug fitted	•
Hard-wired connection	•
Total rated load in kW	0.24
Voltage in V	230
Fuse rating in A	10
Number of phases	1

DA 6498 W Pure Black

Wall mounted rangehood
with energy-efficient LED lighting and touch controls for simple operation.

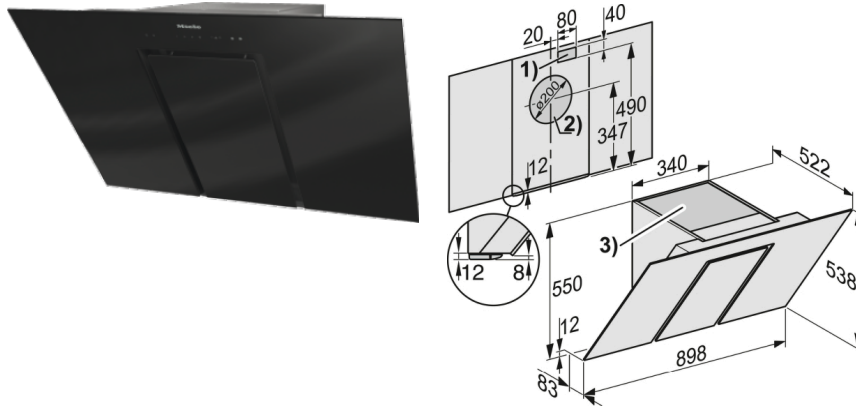


Installation notes	
Extraction ducting connection at top	•
Extraction connection at top and rear	•
Diameter of extraction ducting connection in mm	150
Combination with WiFi-enabled Miele hob	recommended
Standard accessories	
Non-return flap	•
RF Con@ctivity 2.0 communication stick for KM	XKS 3000 Z

DA 6498 W Pure Black

Wall mounted rangehood

with energy-efficient LED lighting and touch controls for simple operation.



DA 6498 W (installation drawing)

- 1) Breakthrough, if the mains connection is not with mains plug but with fixed connection.
- 2) Breakthrough in air exhaust to the rear. Exhaust connection alternatively to the rear.
- 3) Air outlet for recirculation. The distance to the ceiling or the top of the unit mounted furniture should be at least 300 mm.