

Miele



CLEANSTEEL STEAM OVEN W.600

DG 6401 CS

Built-in steam oven with discreet display and integrated sensors for easy operation. MultiSteam, 38 litre capacity, 4 rack levels, Automatic Programmes. CleanSteel finish.

- Perfect results thanks to MultiSteam technology
- Simultaneous cooking on 3 levels without flavour transfer
- Very versatile and efficient thanks to extra-large tray size
- Success guaranteed – intelligent Automatic programmes
- Easy cleaning with flush control panel

SPECIFICATIONS

Dimensions:

45 cm (h) x 56-56.8 cm (w) x 55 cm (d)

Total rated load: 3.4 kW

Model Overview:

- 38 l capacity
- Perfect results thanks to MultiSteam technology
- Simultaneous cooking on 3 levels without flavour transfer
- Very versatile and efficient thanks to extra large tray size
- Success guaranteed - Automatic programmes
- Easy cleaning with flush control panel
- EasySensor touch controls with LCD
- 4 rack levels
- Automatic programmes

IMPORTANT: Please measure your appliance cavity prior to purchase to ensure your chosen appliance will fit. A restocking fee may apply for returned appliances due to incorrect size purchase.

Miele

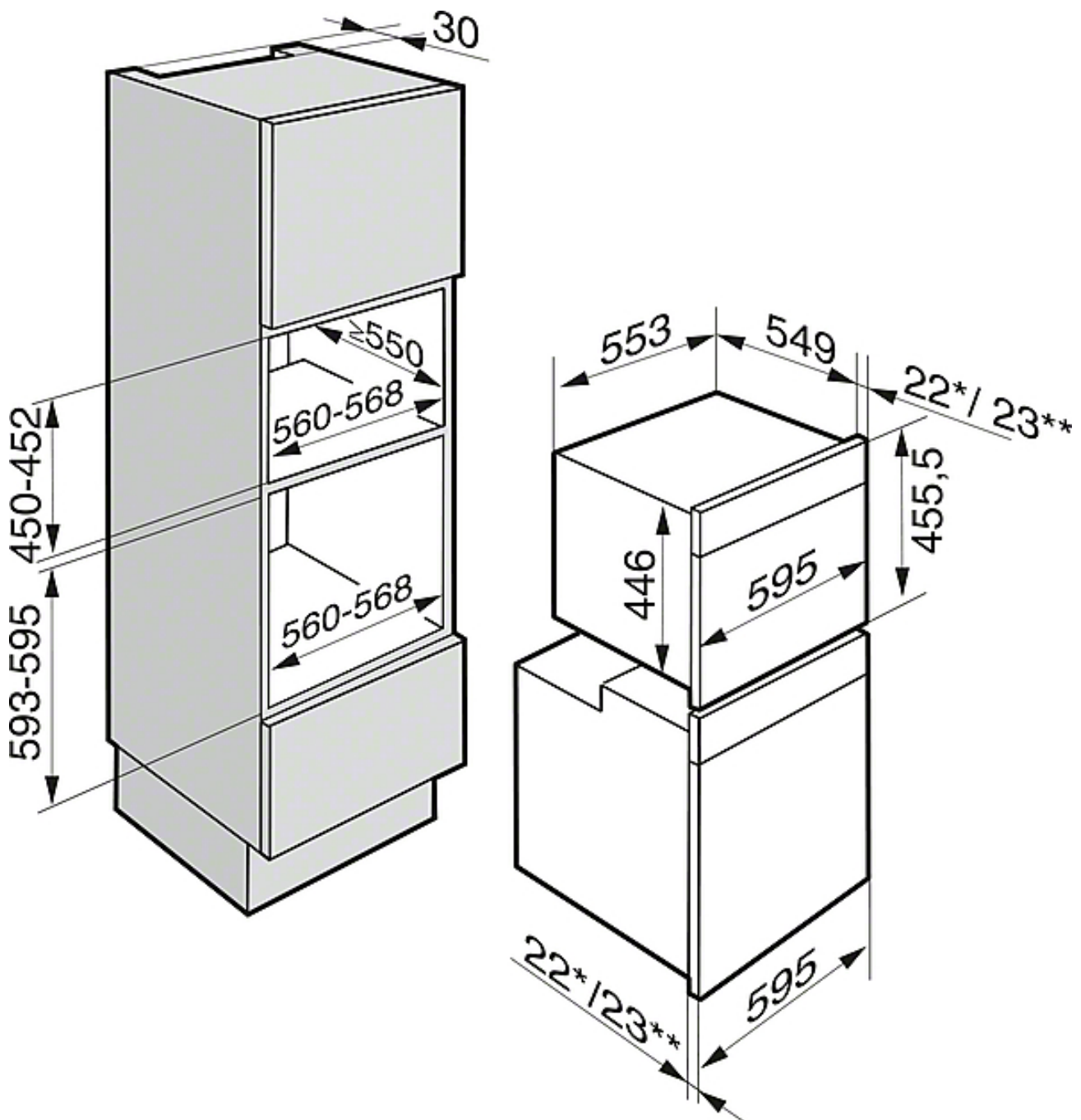


CLEANSTEEL STEAM OVEN W.600

DG 6401 CS INSTALLATION DRAWINGS

* Appliances with glass front

** Appliances with metal front



Miele

