



DV461100
Vacuuming drawer 400 series
Glass front in Gaggenau Anthracite
Width 60 cm, Height 14 cm

Integrable in 14 cm high niche
Hygienic stainless steel vacuuming chamber, applicable height up to 80 mm
3 vacuuming levels for vacuuming in the chamber, max. 99%
3 vacuuming levels for vacuuming outside the chamber, max. 90%
Automatic connection recognition for vacuuming outside the chamber
Handleless drawer
Cushioned closing system

Application

Vacuuming for sous-vide cooking.
Vacuuming for fast marinating and flavouring.
Vacuuming for extended storage.
Vacuuming of vacuuming containers outside the chamber.
Vacuuming of liquids in bottles outside the chamber.

Handling

Touch key operation.
Recessed grip at the front bottom of the drawer.

Features

Net volume 7 litres.
Capacity load max. 10 kg.
Maximum size of vacuuming bags W 240 mm x L 350 mm.
3 heat-sealing levels for different strengths of bag material.
Sealing bar, non-stick coating, removable.
Safety glass cover, opens automatically after vacuuming.
Raised vacuuming platform, 44 mm, deployable.
Utility space in vacuuming chamber, W 210 mm x L 275 mm.
Membrane for avoiding reflux of liquids during vacuuming outside the chamber.
Drying programme for vacuuming pump.
Warning function.

Planning notes

The panel surface of the appliance extends 47 mm from the furniture cavity.
Installation of BS/BM/CM directly above DV in 59 cm niche without intermediate floor.
Built-in under worktop or in single niche.
The socket can be planned behind the appliance.

Connection

Total connected load 0.32 KW.

Characteristics
Color / Material
Alternative colors available
DV461110
Net weight
33.655
Gross weight
36.2
Product image
MCSA01037325_F7924_DV461100_6574
Dimensions
Dimensions of the packed product (HxWxD)
230 x 660 x 660

Consumption and connection features

2021-09-28

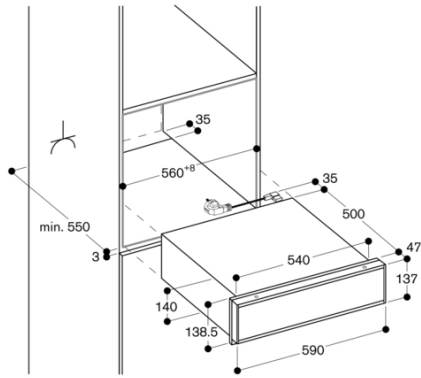
Page 1

Color Variants

DV461100
Glass front in Gaggenau Anthracite
Width 60 cm, Height 14 cm

Included accessories

50 x Vacuuming bag, small.
50 x Vacuuming bag, big.
1 x Raised vacuuming platform.
1 x Adaptor f. vacuuming outside the chamber.
1 x Vacuuming hose.



Side view of DV 461 below BS, BM, CM

