



DV461110
Vacuumping drawer 400 series
Stainless steel-backed glass front
Width 60 cm, Height 14 cm

Integrable in 14 cm high niche
Hygienic stainless steel vacuuming chamber, applicable height up to 80 mm
3 vacuuming levels for vacuuming in the chamber, max. 99%
3 vacuuming levels for vacuuming outside the chamber, max. 90%
Automatic connection recognition for vacuuming outside the chamber
Handleless drawer
Cushioned closing system

Application

Vacuumping for sous-vide cooking.
Vacuumping for fast marinating and flavouring.
Vacuumping for extended storage.
Vacuumping of vacuumping containers outside the chamber.
Vacuumping of liquids in bottles outside the chamber.

Handling

Touch key operation.
Recessed grip at the front bottom of the drawer.

Features

Net volume 7 litres.
Capacity load max. 10 kg.
Maximum size of vacuumping bags W 240 mm x L 350 mm.
3 heat-sealing levels for different strengths of bag material.
Sealing bar, non-stick coating, removable.
Safety glass cover, opens automatically after vacuumping.
Raised vacuumping platform, 44 mm, deployable.
Utility space in vacuumping chamber, W 210 mm x L 275 mm.
Membrane for avoiding reflow of liquids during vacuumping outside the chamber.
Drying programme for vacuumping pump.
Warning function.

Planning notes

The panel surface of the appliance extends 47 mm from the furniture cavity.
Installation of BS/BM/CM directly above DV in 59 cm niche without intermediate floor.
Built-in under worktop or in single niche.
The socket can be planned behind the appliance.

Connection

Total connected load 0.32 KW.

Characteristics

Color / Material

Alternative colors available

DV461100

Net weight

33.805

Gross weight

36.4

Product image

MCSA01033192_F7808_DV461110_6538

Dimensions

Dimensions of the packed product (HxWxD)

240 x 660 x 670

Consumption and connection features

2021-09-28

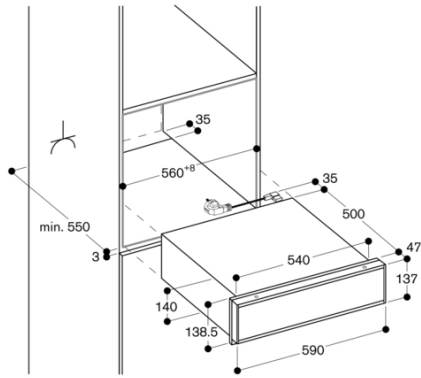
Page 1

Color Variants

DV461110
Stainless steel-backed glass front
Width 60 cm, Height 14 cm

Included accessories

50 x Vacuumping bag, small.
50 x Vacuumping bag, big.
1 x Raised vacuumping platform.
1 x Adaptor f. vacuumping outside the chamber.
1 x Vacuumping hose.



Side view of DV 461 below BS, BM, CM

