

F 2671 Vi

MasterCool freezer

For high-end design and technology on a large scale.



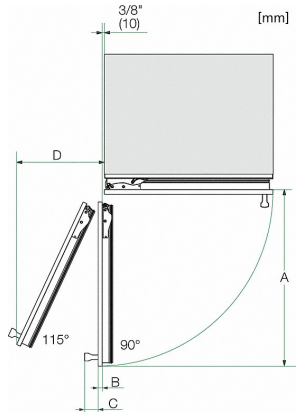
- Push2open for convenient door-opening assistance
- Light floods the interior thanks to LED elements – BrilliantLight
- Ice and cooled water dispensers for maximum convenience
- Communication with appliances couldn't be easier – WiFiConn@ct
- Convenient control thanks to colour touch display MasterSensor

Appliance category	
Freezer	•
Construction type	
Built-in appliance	•
Integrated appliance	•
Convertible door hinging	•
Side-by-side enabled	•
Design	
Lighting	BrilliantLight
User convenience	
NoFrost	•
NoFrost	•
Push2open	•
FullAccess	•
EasyClean	•
MaxLoad hinge	•
Controls	
Operating concept	MasterSensor
SuperFreeze	•
No. of temperature zones	1
Sabbath mode	•
Fridge/Fridge section	
Door baskets – small	1
Door baskets – large	3
Freezer/Freezer section	
Through-the-door ice and water dispensing	•
No. of shelves/surfaces	2
Number of freezer baskets	2
Safety	
Lock function	•
Acoustic door alarm	•
Acoustic temperature alarm, freezer section	•
Optical door alarm	•
Optical temperature alarm	•
Technical data	
Niche depth in mm	550
Appliance width in mm	597
Appliance height in mm	2,127
Appliance depth in mm	610
Weight in kg	152.00
Max. door front weight – refrigerator, in kg	68
Voltage in V	220-240
Fuse rating in A	10
Length of supply lead in m	3.0

F 2671 Vi

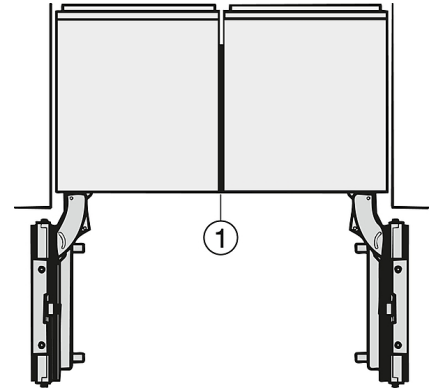
MasterCool freezer

For high-end design and technology on a large scale.



Opening angle 90°/115°, right side stop, MasterCool (Sketch) with footnote

- A) Appliance door
 F 2411 Vi, F 2411 SF, F 2471 Vi, F 2471 SF: 525 mm (20 2/3 inch);
 F 2412 Vi, F 2412 SF, F 2472 Vi, F 2472 SF: 525 mm (20 2/3 inch);
 K 2611 Vi, F 2671 Vi, F 2671 SF, KWT 2611 Vi, KWT 2611 SF, KWT 2671 ViS: 677 mm (26 2/3 inch);
 K 2612 Vi, F 2672 Vi, F 2672 SF, KWT 2612 Vi, KWT 2612 SF, KWT 2672 ViS: 677 mm (26 2/3 inch);
 K 2811 Vi, K 2811 SF, F 2811 SF, F 2811 Vi, KF 2811 Vi, KF 2811 SF: 829 mm (32 2/3 inch);
 K 2812 Vi, K 2812 SF, F 2812 SF, F 2812 Vi, KF 2812 Vi, KF 2812 SF: 829 mm (32 2/3 inch);
 K 2911 Vi, K 2911 SF, F 2911 Vi, F 2911 SF, KF 2911 Vi, KF 2911 SF: 982 mm (38 2/3 inch);
 K 2912 Vi, K 2912 SF, F 2912 Vi, F 2912 SF, KF 2912 Vi, KF 2912 SF: 982 mm (38 2/3 inch);
 B) Furniture front (max. 38 mm) (1 1/2 inch)
 C) Door handle
 D) Distance from the door to the wall (without furniture front and door handle):
 F 2411 Vi, F 2411 SF, F 2471 Vi, F 2471 SF: 237 mm (9 1/3 inch);
 F 2412 Vi, F 2412 SF, F 2472 Vi, F 2472 SF: 237 mm (9 1/3 inch);
 K 2611 Vi, F 2671 Vi, F 2671 SF, KWT 2611 Vi, KWT 2611 SF, KWT 2671 ViS: 296 mm (11 2/3 inch);
 K 2612 Vi, F 2672 Vi, F 2672 SF, KWT 2612 Vi, KWT 2612 SF, KWT 2672 ViS: 296 mm (11 2/3 inch);
 K 2811 Vi, K 2811 SF, F 2811 SF, F 2811 Vi, KF 2811 Vi, KF 2811 SF: 363 mm (14 1/3 inch);
 K 2812 Vi, K 2812 SF, F 2812 SF, F 2812 Vi, KF 2812 Vi, KF 2812 SF: 363 mm (14 1/3 inch);
 K 2911 Vi, K 2911 SF, F 2911 Vi, F 2911 SF, KF 2911 Vi, KF 2911 SF: 428 mm (16 7/8 inch);
 K 2912 Vi, K 2912 SF, F 2912 Vi, F 2912 SF, KF 2912 Vi, KF 2912 SF: 428 mm (16 7/8 inch);
 E) ONLY valid for SF versions: A + 25 mm (1 inch)



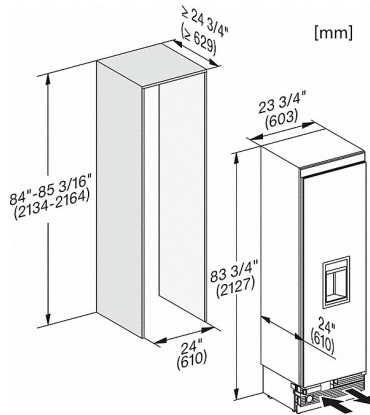
Side-by-side, MasterCool, without partition wall, with heating mat (Sketch) (with footnote)

- 1) Heating mat KSK 2001 (EU, AUS, CN) or KSK 2002 (US, CA, MX, BR)

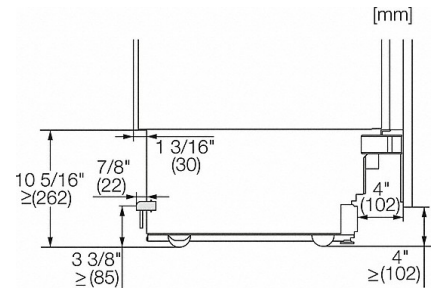
F 2671 Vi

MasterCool freezer

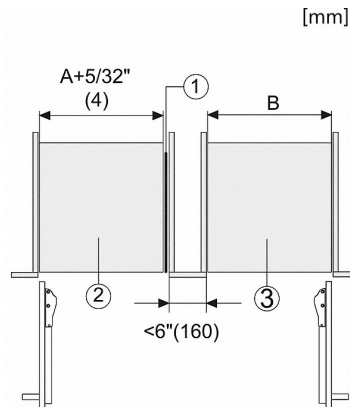
For high-end design and technology on a large scale.



F2672Vi, F2662Vi, F2671Vi, F2661Vi, installation, MasterCool (installation drawings)

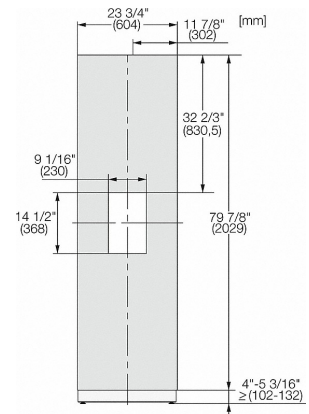


Sideview, MasterCool, Sketch



Side-by-Side, MasterCool, footnote, installation drawings

1. KSK 2001/2002
 2. Device A
 3. Device B
- A = niche device A
B = niche device B

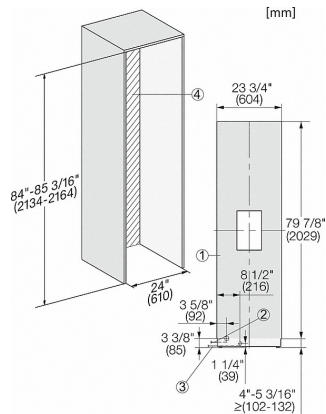


KFP2445ed/cs, KFP2444ed/cs, Front panel, Front dimensions, MasterCool, installation drawings

F 2671 Vi

MasterCool freezer

For high-end design and technology on a large scale.



F2672Vi, F2672SF, F2662Vi, F2671Vi, F2671SF, F2661Vi,
MasterCool, installation, installation drawings

1. View from the front
2. Mains Connection cable, L = 3000 mm (118 inch)
3. Water inlet position, L = 2000mm (not for KON USA)
4. No water/ELT connections permitted in this area