

FISHER & PAYKEL

SPECIFICATION GUIDE

OVEN, 76CM, SELF-CLEANING



OVERVIEW

Enhance your kitchen design with the refined styling of the 76cm Double Oven. Complementing the other products in our Contemporary collection, you can create a coherent, considered look with ease. Intuitive controls and the performance to deliver perfect results make this double oven beautiful to use.

MODELS

Double Oven, 76cm, 17 Function, Self-cleaning

115L + 115L, Stainless Steel, Dial Controls, Touchscreen
OB76DDPTDX1

SERIES & STYLE

Series 9
Contemporary

FEATURES

- ① Designed to fit flush with cabinetry
- ② Styled to complement our Contemporary collection of kitchen appliances
- ③ Generous 115L total capacity per oven
- ④ High-resolution, user-friendly touch display
- ⑤ Guided cooking and recipes
- ⑥ Perfect results from a variety of oven functions
- ⑦ Even heat distribution throughout with AeroTech™ technology
- ⑧ Self-cleaning
- ⑨ CoolTouch door

ACCESSORIES

- ① Full-extension sliding shelves
- ② Self-cleaning-proof side racks
- ③ Roasting dish, tray and rack
- ④ Food probe

FISHER & PAYKEL

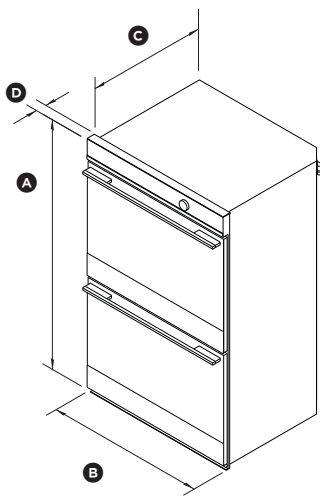
SPECIFICATION GUIDE

OVEN, 76CM, SELF-CLEANING

SPECIFICATIONS

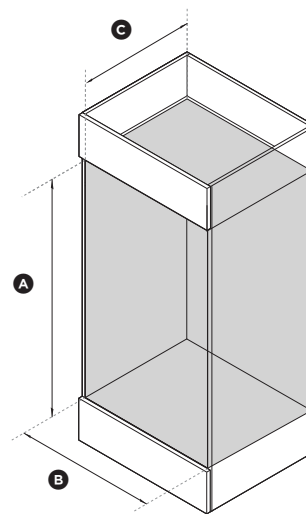
| | |
|----------------|------------------------------|
| Model No. | OB76DDPTDX1 |
| Dimensions | H 1232mm x W 760mm x D 609mm |
| Total capacity | 115L per oven |
| Weight | 186kg |
| Electrical | |
| Supply | 220 - 240VAC, 50Hz |
| Service | 16.6 - 19.4-amp circuit |

PRODUCT DIMENSIONS



ISO VIEW

CAVITY DIMENSIONS: STANDARD INSTALLATION



ISO VIEW

| | | mm |
|-----|--|------|
| (A) | Overall height | 1232 |
| (B) | Overall width | 760 |
| (C) | Depth of chassis | 569 |
| (D) | Depth of oven front and control panel (excl. handle and dials) | 40 |
| | Depth of upper door when fully open (measured from front of control panel) | 550 |
| | Depth of lower door when fully open (measured from front of control panel) | 530 |

| | | mm |
|-----|---------------------------------|------|
| (A) | Minimum inside height of cavity | 1224 |
| (B) | Minimum inside width of cavity | 724 |
| (C) | Minimum inside depth of cavity | |
| | • proud install | 575 |
| | • flush install | 615 |