



#### Color Variants

**BO451112**  
Stainless steel-backed full glass door  
Width 60 cm

#### Included accessories

1 x enamel baking tray.  
suit. pyrolytic clean.  
1 x glass pan.  
1 x grill shelf.  
1 x pluggable meat probe.

**BO451112**  
**Oven 400 series**  
Stainless steel-backed full glass door  
Width 60 cm  
left-hinged  
Controls at the top

**A**

Handleless door / automatic door opening  
Pyrolytic system  
13 heating methods, with core temperature probe and baking stone function  
Automatic programmes  
Core temperature probe with estimation of cooking time  
TFT touch display  
Panel-free appliance with surface control module  
Electronic temperature control from 30 °C to 300 °C  
Net volume 76 litres

#### Heating methods

Hot air.  
Eco hot air. Top + bottom heat. Top heat. Bottom heat. Hot air + bottom heat. Full surface grill + circulated air. Full surface grill. Compact grill. Baking stone function. Roaster function. Dough proofing. Defrosting.

#### Capacity

Automatic door opening.  
Rotary knob and TFT touch display operation.  
Clear text display.  
Option to save individual recipes (incl. core temperature probe).  
Personalisation of automatic programmes.  
Information key with use indicators.  
Side-opening door opens up to 180° angle.

#### Features

Three-point core temperature probe with automatic shut-off and estimation of cooking time.  
Automatic programmes.  
Baking stone socket.  
Actual temperature display.  
Rapid heating.  
60 W halogen light on the top.  
10 W halogen light on the side.  
Enamelled side shelf supports with 4 tray levels, pyrolysis-safe.  
Home network integration for digital services (Home Connect) either via cable connection LAN or wireless via WiFi.  
The use of the Home Connect functionality depends on the Home Connect services, which are not available in every country. For further information please check: [home-connect.com](http://home-connect.com).

#### Safety

Thermally insulated door with quadruple glazing.  
Child lock.  
Safety shut-off.  
Cooled housing with temperature protection.

#### Cleaning

Pyrolytic system.  
Gaggenau enamel.  
Heated catalyser to clean the oven air.

#### Performance

Door hinge not reversible.  
The façade of the appliance extends 47 mm from the furniture cavity.  
Consider the overhang when planning to open drawers next to the appliance.  
When planning a corner solution, pay attention to the 90° door opening angle.

#### Characteristics

**Color / Material Front**  
Built-in / Free-standing  
Built-in  
**Integrated Cleaning system**  
Pyrolytic  
**Required niche size for installation (HxWxD)**  
590-590 x 560-560 x 550  
**Dimensions**  
595 x 590 x 547  
**Dimensions of the packed product (HxWxD)**  
760 x 700 x 650  
**Control Panel Material**  
without panel  
**Door Material**  
Stainless steel behind glass  
**Net weight**  
56.0  
**Usable volume of cavity**  
76  
**Cooking method**  
Baking stone function, Bottom heat, Defrost, Dough proving, Full width grill, Half width grill, Hot Air, Hot Air-Eco, Hot-air grilling, Roaster function, Top/Bottom heating, Top heat  
**First cavity material**  
**Oven control**  
electronic  
**Number of interior lights**  
2  
**Approval certificates**  
Australia Standards, CCC, CE, China, China ROHS 20, Eurasian, G-Mark, Ukraine, VDE  
**Length electrical supply cord**  
**EAN code**  
4242006286170  
**Number of cavities (2010/30/EC)**  
1  
**Energy efficiency rating**  
A  
**Energy consumption per cycle conventional (2010/30/EC)**  
1.25  
**Energy consumption gas oven per cycle conventional (2010/30/EC)**  
**Energy consumption per cycle forced air convection (2010/30/EC)**  
0.83  
**Energy consumption gas oven per cycle forced air convection (2010/30/EC)**  
**Energy efficiency index (2010/30/EC)**  
95.4  
**Connection Rating**  
3700  
**Fuse protection**  
16  
**Voltage**  
220-240  
**Frequency**  
50  
**Plug type**  
no plug

#### Consumption and connection features

2022-06-16

Page 1

To achieve the 550 mm installation depth, the connection cable needs to follow the slanted edge on the lower right hand corner of the housing.  
The mains socket needs to be planned outside the built-in niche.  
The LAN port can be found at the back on the upper right side.

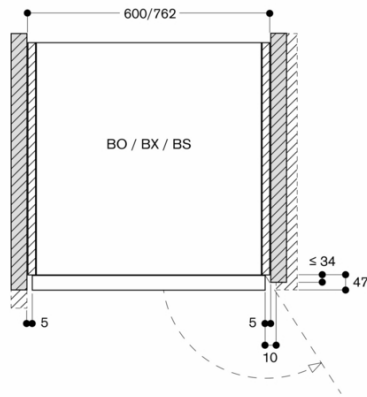
#### Connection

Total connected load 3.7 KW.  
Plan a connection cable.  
Plan a LAN cable.  
Power consumption standby/display on 0.7 W.  
Power consumption standby/display off 0.5 W.  
Power consumption standby/network 1.4 W.  
Time auto-standby/display on 20 min.  
Time auto-standby/display off 20 min.  
Time auto-standby/network 20 min.

**GAGGENAU**

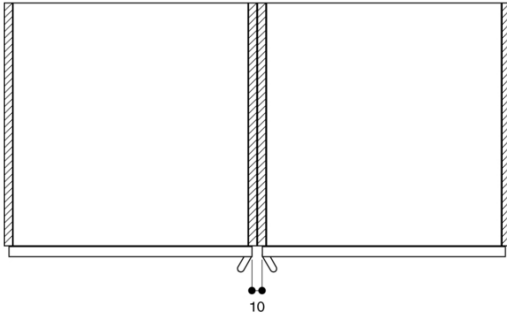
BO451112  
 Oven 400 series  
 Stainless steel-backed full glass door  
 Width 60 cm  
 left-hinged  
 Controls at the top  
 2022-06-16  
 Page 2

Air inlet cross section at the door edges



Measurements in mm

When installed next to each other



Cross section of the top/bottom door edge gaps

