



BO480112
Oven 400 series
Stainless steel-backed full glass door
Width 76 cm
right-hinged
Controls at the top

Handleless door / automatic door opening
 Pyrolytic system
 17 heating methods, with core temperature probe, rotisserie spit and baking stone function
 Automatic programmes
 Core temperature probe with estimation of cooking time
 TFT touch display
 Electronic temperature control from 30 °C to 300 °C
 Net volume 110 litres

Heating methods

Hot air. Eco hot air. Top + bottom heat. Top + 1/3 bottom heat. Top heat. 1/3 top + bottom heat. Bottom heat. Hot air + bottom heat. Hot air + 1/3 bottom heat. Full surface grill + circulated air. Full surface grill. Compact grill. Baking stone function. Roaster function. Dough proofing. Defrosting. Keeping warm.

Handling

Automatic door opening.
 Rotary knob and TFT touch display operation.
 Clear text display.
 Option to save individual recipes (incl. core temperature probe).
 Personalisation of automatic programmes.
 Information key with use indicators.
 Side-opening door opens up to 180° angle.

Features

Three-point core temperature probe with automatic shut-off and estimation of cooking time.
 Automatic programmes.
 Rotisserie spit.
 Baking stone socket.
 Actual temperature display.
 Rapid heating.
 Timer functions: cooking time, cooking time end, timer, stopwatch, long-term timer.
 60 W halogen light on the top.
 2 x 10 W halogen light on the side.
 Enamelled side shelf supports with 5 tray levels, pyrolysis-safe.
 Home network integration for digital services (Home Connect) either via cable connection LAN or wireless via WiFi.
 The use of the Home Connect functionality depends on the Home Connect services, which are not available in every country. For further information please check: home-connect.com.

Safety

Thermally insulated door with quadruple glazing.
 Child lock.
 Safety shut-off.
 Cooled housing with temperature protection.

Cleaning

Pyrolytic system.
 Gaggenau enamel.
 Heated catalyser to clean the oven air.

Planning notes

Door hinge not reversible.
 The façade of the appliance extends 47 mm from the furniture cavity.
 Consider the overhang when planning to open drawers next to the appliance.

Characteristics

Color / Material Front
Built-in / Free-standing
 Built-in
Integrated Cleaning system
 Hydrolytic, Pyrolytic
Required niche size for installation (HxWxD)
 665-665 x 724-724 x 550
Dimensions
 670 x 752 x 547
Dimensions of the packed product (HxWxD) (mm)
 860 x 760 x 850
Control Panel Material
Door Material
 Stainless steel behind glass
Net weight (kg)
 78.650
Usable volume of cavity (l)
 110
Cooking method
 Baking stone function, Bottom heat, Conventional heat, Defrost, Dough proving setting, Full width grill, Half width grill, Hot Air, Hot Air-Eco, Hot air grilling, Roaster function, Top heat, warming
First cavity material
Temperature control
 electronic
Number of interior lights
 3
Approval certificates
 Australia Standards, CE, Eurasian, G-Mark, Ukraine, VDE
Length electrical supply cord (cm)
EAN code
 4242006284817

Consumption and connection features

Number of cavities (2010/30/EC)
 1
Energy efficiency rating
 A
Energy consumption per cycle conventional (2010/30/EC)
 1.53
Energy consumption gas oven per cycle conventional (2010/30/EC)
 0.96
Energy consumption gas oven per cycle forced air convection (2010/30/EC)
 95.0
Energy efficiency index (2010/30/EC)
 95.0
Connection Rating (W)
 5520
Current (A)
 25
Voltage (V)
 220-240
Frequency (Hz)
 50
Plug type
 fixed connection, no plug
2020-11-25
Page 1

When planning a corner solution, pay attention to the 90° door opening angle.

To achieve the 550 mm installation depth, the connection cable needs to follow the slanted edge on the lower right hand corner of the housing. The mains socket needs to be planned outside the built-in niche. The LAN port can be found at the back on the upper right side.

Connection

Total connected load 5.5 KW.
 Plan a connection cable.
 Plan a LAN cable.
 Power consumption standby/display on 0.7 W.
 Power consumption standby/display off 0.5 W.
 Power consumption standby/network 1.4 W.
 Time auto-standby/display on 20 min.
 Time auto-standby/display off 20 min.
 Time auto-standby/network 20 min.
 Please check the user manual for how to switch off the WiFi module.

Color Variants

BO480112
Stainless steel-backed full glass door
Width 76 cm

Included accessories

1 x enamel baking tray.
 suit. pyrolytic clean.
 1 x rotary spit.
 1 x grill shelf.
 1 x grill tub with grid.
 1 x pluggable meat probe.

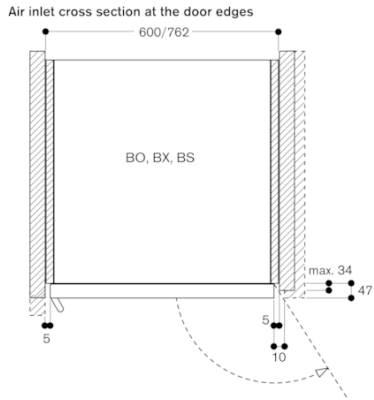
Optional accessories

BA018105
Pull-out system
BA028115
Baking tray, enamelled
BA038105
Wire rack, chromium-plated
BA058115
Heating element for baking stone and Gastronorm roaster.
BA058133
Baking stone.
GN340230
Gastronorm roaster in cast aluminium.

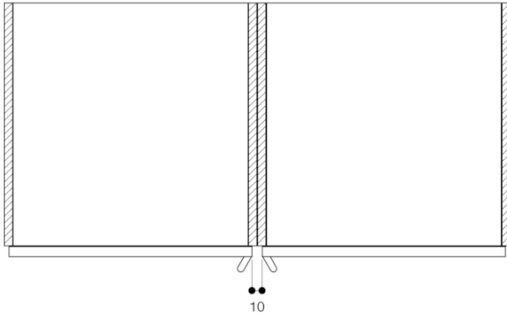
Product Variants

BO481112
Oven 400 series
Stainless steel-backed full glass door
Width 76 cm
left-hinged
Controls at the top

BO480112
 Oven 400 series
 Stainless steel-backed full glass door
 Width 76 cm
 right-hinged
 Controls at the top
 2020-11-25
 Page 2



When installed next to each other



Cross section of the top/bottom door edge gaps

