



BS471102
Combi-steam oven 400 series
Full glass door in Gaggenau Anthracite
Width 60 cm
left-hinged
Controls at the top

Color Variants

BS471102
Full glass door in Gaggenau Anthracite
Width 60 cm

Included accessories

1 x outlet hose 3m.
 1 x STS tray-GN2/3-punched-40 mm deep.
 1 x STS tray-GN2/3-unpunched-40 mm deep.
 1 x grid.
 1 x pluggable meat probe.
 1 x water inlet hose 3m.
 1 x cleaning cartridge.

Optional accessories

CLS10040
Cleaning cartridges, set of 4
GN114130
Gastronorm insert, stainless steel, GN 1/3
GN114230
Gastronorm insert, stainless steel, GN 2/3
GN340230
Gastronorm roaster in cast aluminium.

Handleless door / automatic door opening
 Fixed inlet and outlet water connection
 Cleaning system, fully automatic
 Large cavity
 2 LED light sources, perfect illumination on all levels
 External steam generation
 Steaming without pressure
 Hot air 30 °C to 230 °C can be combined with chosen humidity level of 0%, 30%, 60%, 80% or 100%
 Sous-vide cooking with accurate temperature regulation
 Full surface grill behind glass ceramic, combinable with circulated air up to 230 °C and steam
 Automatic programmes
 Core temperature probe with estimation of cooking time
 Hot air fan rotates in both directions for ideal heat distribution
 TFT touch display
 Panel-free appliance with surface control module
 Electronic temperature control from 30 °C to 230 °C
 Net volume 50 litres

Heating methods

Hot air + 100 % humidity.
 Hot air + 80 % humidity.
 Hot air + 60 % humidity.
 Hot air + 30 % humidity.
 Hot air + 0 % humidity.
 Low temperature cooking.
 Sous-vide cooking.
 Full surface grill level 1 + humidity.
 Full surface grill level 2 + humidity.
 Full surface grill + circulated air.
 Dough proofing.
 Defrosting.
 Regenerating.

Handling

Automatic door opening.
 Rotary knob and TFT touch display operation.
 Clear text display.
 Option to save individual recipes (incl. core temperature probe).
 Personalisation of automatic programmes.
 Information key with use indicators.
 Side-opening door opens up to 180° angle.

Features

Full surface grill 2000 W behind glass ceramic.
 Steam removal.
 Misting function, injects additional steam into the cavity
 Three-point core temperature probe with automatic shut-off and estimation of cooking time.
 Automatic programmes.
 Actual temperature display.
 Timer functions: cooking time, cooking time end, timer, stopwatch, long-term timer.
 Automatic boiling point detection.
 2 x LED light on the side.
 Hygienic stainless steel cooking interior.
 3 tray levels.
 Home network integration for digital services (Home Connect) either via cable connection LAN or wireless via WiFi.

Characteristics

Color / Material Front
 Anthracite
Built-in / Free-standing
 Built-in
Door opening
 Lateral
Required niche size for installation (HxWxD)
 450-450 x 560-560 x 550
Dimensions
 455 x 590 x 540
Dimensions of the packed product (HxWxD) (mm)
 590 x 660 x 690
Control Panel Material
 Glass
Door Material
 Glass
Net weight (kg)
 46.648
Approval certificates
 Australia Standards, CCC, CE, China, China ROHS 20, Eurasian, G-Mark, Ukraine, VDE
Length electrical supply cord (cm)
 175
EAN code
 4242006289423
Electrical connection rating (W)
Current (A)
 16
Voltage (V)
 220-240
Frequency (Hz)
 50
Plug type
 Gardy plug w/ earthing
Approval certificates
 Australia Standards, CCC, CE, China, China ROHS 20, Eurasian, G-Mark, Ukraine, VDE
Number of cavities (2010/30/EC)
 1
Usable volume (of cavity) - NEW (2010/30/EC)
 50
Energy efficiency rating
 A
Energy consumption per cycle conventional (2010/30/EC)
Energy consumption gas oven per cycle conventional (2010/30/EC)
Energy consumption per cycle forced air convection (2010/30/EC)
 0.72
Energy consumption gas oven per cycle forced air convection (2010/30/EC)
Energy efficiency index (2010/30/EC)
 94.7

Consumption and connection features

2021-02-22
 Page 1

The use of the Home Connect functionality depends on the Home Connect services, which are not available in every country. For further information please check: home-connect.com.

Safety

Child lock.
 Safety shut-off.
 Cooled housing with temperature protection.

Cleaning

Cleaning programme, fully automatic.
 Descaling programme for the steam generator.
 Drying programme.
 Automatic drying of the cavity at the end of the cooking process.
 Strainer filter, removable.

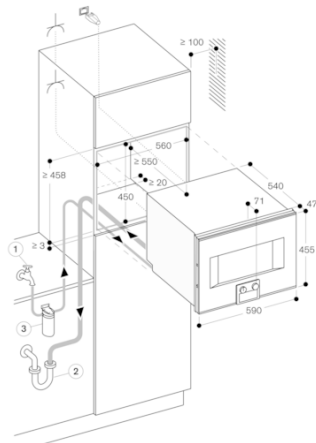
Planning notes

Door hinge not reversible.
 No other electrical appliances should be installed above the BS.
 At no point may the outlet hose be positioned higher than the bottom edge of the appliance. The outlet hose must also be at least 100 mm lower than the appliance outlet (see drawing "drainage connection").
 Inlet hose can be extended once.
 The outlet hose must not be longer than a maximum of 5 m.
 The water connection for the inlet hose must always be accessible and not located directly behind the appliance.
 The connection of the outlet hose to the siphon must not be directly behind the appliance and should be accessible.
 The façade of the appliance extends 47 mm from the furniture cavity.
 Consider the overhang when planning to open drawers next to the appliance.
 When planning a corner solution, pay attention to the 90° door opening angle.
 The mains socket needs to be planned outside the built-in niche.

Connection

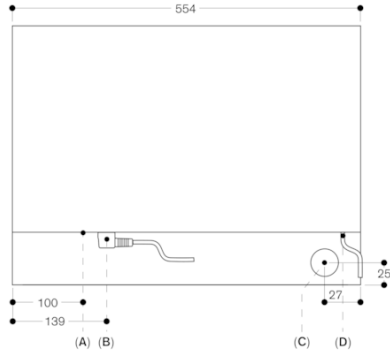
Total connected load 3.1 KW.
 Only cold water connection.
 Inlet hose 3.0 m with 3/4 " (26,4 mm) connection, extendable.
 Outlet hose (ø 24 mm) 3.0 m (HT-Hose).
 Connecting cable 1.8 m with plug.
 Plan a LAN cable.
 Power consumption standby/display on 0.8 W.
 Power consumption standby/display off 0.5 W.
 Power consumption standby/network 1.8 W.
 Time auto-standby/display on 20 min.
 Time auto-standby/display off 20 min.
 Time auto-standby/network 20 min.
 Please check the user manual for how to switch off the WiFi module.

BS471102
 Combi-steam oven 400 series
 Full glass door in Gaggenau Anthracite
 Width 60 cm
 left-hinged
 Controls at the top
 2021-02-22
 Page 2



Socket
 measurements in mm

View from rear



A:LAN connection
 B:Electric terminal box
 C:Water outlet
 D:Cold water inlet
 measurements in mm