



**BSP270101**  
**Combi-steam oven 200 series**  
**Full glass door in Gaggenau Anthracite**  
**Width 60 cm**  
**right-hinged**  
**Controls at the top**



Flush installation  
 Fixed inlet and outlet water connection  
 Cleaning system, fully automatic  
 Large cavity  
 LED light source  
 External steam generation  
 Steaming without pressure  
 Hot air 30 °C to 230 °C can be combined with chosen humidity level of 0%, 30%, 60%, 80% or 100%  
 Sous-vide cooking with accurate temperature regulation  
 Automatic programmes  
 Core temperature probe with estimation of cooking time  
 Hot air fan rotates in both directions for ideal heat distribution  
 TFT touch display  
 Panel-free appliance with surface control module  
 Electronic temperature control from 30 °C to 230 °C  
 Net volume 50 litres

**Heating methods**  
 Hot air + 100 % humidity.  
 Hot air + 80 % humidity.  
 Hot air + 60 % humidity.  
 Hot air + 30 % humidity.  
 Hot air + 0 % humidity.  
 Low temperature cooking.  
 Sous-vide cooking.  
 Full surface grill level 1 + humidity.  
 Full surface grill level 2 + humidity.  
 Full surface grill + circulated air.  
 Dough proofing.  
 Defrosting.  
 Regenerating.

**Handling**  
 Rotary knob and TFT touch display operation.  
 Clear text display.  
 Option to save individual recipes (incl. core temperature probe).  
 Personalisation of automatic programmes.  
 Information key with use indicators.  
 Side-opening door opens up to 110° angle.

**Features**  
 Steam removal.  
 Misting function, injects additional steam into the cavity  
 Three-point core temperature probe with automatic shut-off and estimation of cooking time.  
 Automatic programmes.  
 Actual temperature display.  
 Automatic boiling point detection.  
 LED light on the side.  
 Hygienic stainless steel cooking interior.  
 3 tray levels.  
 Home network integration for digital services (Home Connect) either via cable connection LAN or wireless via WiFi.  
 The use of the Home Connect functionality depends on the Home Connect services, which are not available in every country. For further information please check: home-connect.com.

**Safety**  
 Child lock.  
 Safety shut-off.  
 Cooled housing with temperature protection.

**Cleaning**

**Color Variants**

**BSP270101**  
**Full glass door in Gaggenau Anthracite**  
**Width 60 cm**  
**BSP270111**  
**Full glass door in Gaggenau Metallic**  
**Width 60 cm**  
**BSP270131**  
**Full glass door in Gaggenau Silver**  
**Width 60 cm**

**Included accessories**

1 x outlet hose 3m.  
 1 x grid.  
 1 x pluggable meat probe.  
 1 x water inlet hose 3m.  
 1 x STS tray.  
 punched.  
 40 mm deep.

**Optional accessories**

**CLS10040**  
**Cleaning cartridges, set of 4**  
**GN114130**  
**Gastronorm insert, stainless steel, GN 1/3**  
**GN114230**  
**Gastronorm insert, stainless steel, GN 2/3**  
**GN340230**  
**Gastronorm roaster in cast aluminium.**

**Product Variants**

**BSP271101**  
**Combi-steam oven 200 series**  
**Full glass door in Gaggenau Anthracite**  
**Width 60 cm**  
**left-hinged**  
**Controls at the top**

**Characteristics**

**Color / Material Front**  
 Anthracite  
**Built-in / Free-standing**  
 Built-in  
**Door opening**  
 Lateral  
**Required niche size for installation (HxWxD)**  
 450-450 x 560-560 x 550  
**Dimensions**  
 455 x 590 x 540  
**Dimensions of the packed product (HxWxD) (mm)**  
 590 x 660 x 690  
**Control Panel Material**  
 Glass  
**Door Material**  
 Glass  
**Net weight (kg)**  
 46.181  
**Approval certificates**  
 Australia Standards, CCC, CE, China, China ROHS 20, Eurasian, G-Mark, Ukraine, VDE  
**Length electrical supply cord (cm)**  
 175  
**EAN code**  
 4242006278007  
**Electrical connection rating (W)**  
 16  
**Current (A)**  
 16  
**Voltage (V)**  
 220-240  
**Frequency (Hz)**  
 50  
**Plug type**  
 Gardy plug w/ earthing  
**Approval certificates**  
 Australia Standards, CCC, CE, China, China ROHS 20, Eurasian, G-Mark, Ukraine, VDE  
**Number of cavities (2010/30/EC)**  
 1  
**Usable volume (of cavity) - NEW (2010/30/EC)**  
 50  
**Energy efficiency rating**  
 A  
**Energy consumption per cycle conventional (2010/30/EC)**  
 Energy consumption gas oven per cycle conventional (2010/30/EC)  
**Energy consumption per cycle forced air convection (2010/30/EC)**  
 0.72  
**Energy consumption gas oven per cycle forced air convection (2010/30/EC)**  
 94.7

**Consumption and connection features**

2021-04-16  
 Page 1

Cleaning programme, fully automatic.  
 Descaling programme for the steam generator.  
 Drying function.  
 Automatic drying of the cavity at the end of the cooking process.  
 Strainer filter, removable.

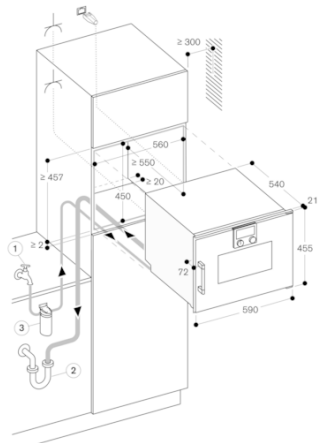
**Planning notes**

Door hinge not reversible.  
 No other electrical appliances should be installed above the BS.  
 At no point may the outlet hose be positioned higher than the bottom edge of the appliance. The outlet hose must also be at least 100 mm lower than the appliance outlet (see drawing "drainage connection").  
 Inlet hose can be extended once.  
 The outlet hose must not be longer than a maximum of 5 m.  
 The water connection for the inlet hose must always be accessible and not located directly behind the appliance.  
 The connection of the outlet hose to the siphon must not be directly behind the appliance and should be accessible.  
 The door panel surface of the appliance extends 21 mm from the furniture cavity.  
 The outer edge of the door handle extends 72 mm from the furniture cavity.  
 Necessary lateral gap between appliance door and furniture panel of min. 5 mm.  
 Consider the overhang, incl. the door handle, when planning to open drawers next to the appliance.  
 When planning a corner solution, pay attention to the 110° door opening angle.  
 The mains socket needs to be planned outside the built-in niche.

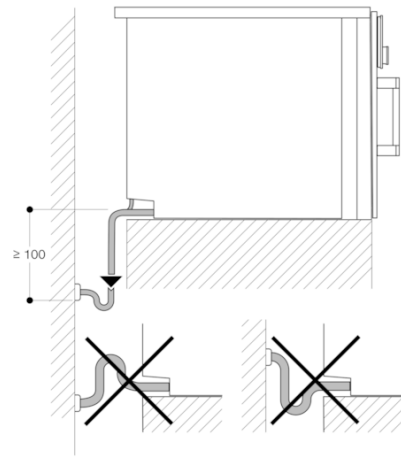
**Connection**

Total connected load 3.1 KW.  
 Only cold water connection.  
 Inlet hose 3.0 m with 3/4" (26,4 mm) connection, extendable.  
 Outlet hose (ø 24 mm) 3.0 m (HT-Hose).  
 Connecting cable 1.8 m with plug.  
 Plan a LAN cable.  
 Power consumption standby/display on 0.8 W.  
 Power consumption standby/display off 0.5 W.  
 Power consumption standby/network 1.8 W.  
 Time auto-standby/display on 20 min.  
 Time auto-standby/display off 20 min.  
 Time auto-standby/network 20 min.  
 Please check the user manual for how to switch off the WiFi module.

**BSP270101**  
**Combi-steam oven 200 series**  
**Full glass door in Gaggenau Anthracite**  
**Width 60 cm**  
**right-hinged**  
**Controls at the top**  
**2021-04-16**  
**Page 2**

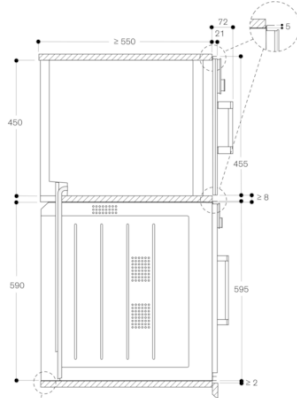


Socket  
 measurements in mm



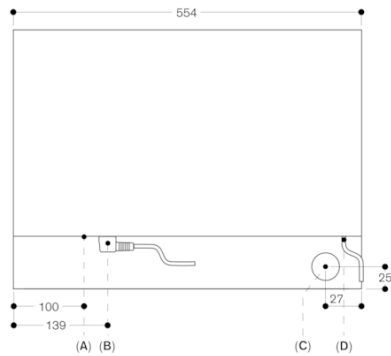
measurements in mm

Side view of BSP 260/270 above BOP



measurements in mm

View from rear



- A: LAN connection
- B: Electric terminal box
- C: Water outlet
- D: Cold water inlet

measurements in mm