



Color Variants

CI272103

Frameless

Width 70 cm

CI272103

Flex induction cooktop 200 series

Frameless

Width 70 cm

Frameless for flush mounting
Flex function for combining the rectangular cooking areas
Free positioning of cookware inside combined cooking areas with automatic extension up to 30 cm width
Professional cooking function for splitting the cooktop into 3 predefined heat areas
Twist-Pad control with removable magnetic knob
Easy control of all functions with bicoloured display

Cooking zones

2 flex induction cooking areas with each 19x23 cm (2200 W, with booster 3700 W), linked together 38x23 cm (3300 W, with booster 3700 W), with automatic extension up to 30x30 cm (3300 W, with booster 3700 W).

Capacity

Twist-Pad control with removable magnetic knob.
User friendly control with bicoloured display (white / orange).
Cooking zone and cooking area marking.
Electronic power control in 17 output levels.

Features

Flex function for rectangular cooking areas.
Professional cooking function.
Booster function for pots.
Booster function for pans.
Keep warm function.
Stopwatch.
Cooking timer for up to 99 minutes.
Short-term timer.
Options menu.
Power management.
Cooktop-based ventilation control (with suitable hood).
Home network integration for digital services (Home Connect) wireless via WiFi.
The use of the Home Connect functionality depends on the Home Connect services, which are not available in every country. For further information please check: home-connect.com.

Safety

Main switch.
Operation indicator.
Pot detection.
digital 2-step
Child lock.
Safety shut-off.

Performance

Operates with magnetic (induction) iron pots and pans only. For an optimal heat distribution, the use of sandwich bottom cookware is recommended.
The wok pan WP 400 001 cannot be used with this appliance.
Appliance must be fixed from underneath.
Appliance weight: approx. 14. kg

Connection

Total connected load 7.4 KW.
Connecting cable 1.5 m without plug.
Power consumption standby/display off 0.5 W.
Power consumption standby/network 2.0 W.
Please check the user manual for how to switch off the WiFi module.

Characteristics

Product name/family

Cooking zone ceramic

Construction type

Built-in

Energy input

Electric

Total number of positions that can be used at the same time

4

Type of control setting devices

Min. required niche size for installation (HxWxD)

Width of the appliance

684

Dimensions

56 x 684 x 512

Dimensions of the packed product (HxWxD)

126 x 953 x 608

Net weight

13.5

Gross weight

17.1

Residual heat indicator

Separate

Location of control panel

Hob front

Type of external control possibility

Basic surface material

Ceramic

Color of surface

Black

Color of frame

Length electrical supply cord

150

EAN code

4242006287788

Electrical connection rating

7400

Gas connection rating

Fuse protection

Voltage

220-240

Frequency

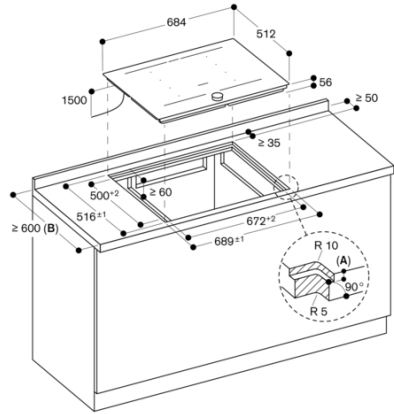
50-60

Consumption and connection features

2022-11-24

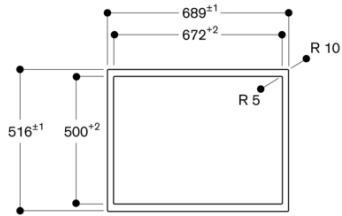
Page 1

GAGGENAU



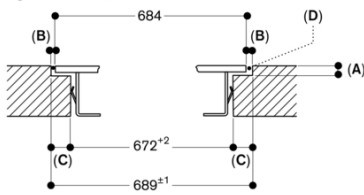
A: $6.5^{+0.5}$
 B: Please check the installation manual if the worktop depth is less than 600 mm.
 measurements in mm

View from above



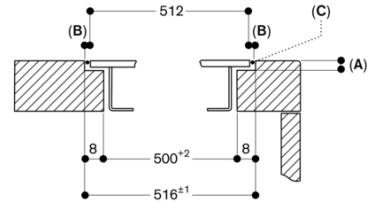
measurements in mm

Longitudinal section



A: $6.5^{+0.5}$
 B: 2.5
 C: 8.5
 D: Fill with silicone
 measurements in mm

Cross-section



A: $6.5^{+0.5}$
 B: 2.5
 C: Fill with silicone
 measurements in mm