



#### Color Variants

CI282112

Stainless steel frame

Width 80 cm

**CI282112**  
**Flex induction cooktop 200 series**  
**Stainless steel frame**  
**Width 80 cm**

Sturdy stainless steel frame  
Flex function for combining the rectangular cooking areas  
Free positioning of cookware inside combined cooking areas with automatic extension up to 30 cm width  
Cooking sensor function for temperature control in pots  
Professional cooking function for splitting the cooktop into 3 predefined heat areas  
Frying sensor function for temperature control in pans  
Twist-Pad control with removable magnetic knob  
Easy control of all functions with bicoloured display

#### Cooking zones

2 flex induction cooking areas 19x22,5 cm (2200 W, with booster 3700 W), linked together 38x22,5 cm (3300 W, with booster 3700 W), with automatic extension up to 30x30 cm (3300 W, with booster 3700 W).

#### Handling

Twist-Pad control with removable magnetic knob.  
User friendly control with bicoloured display (white / orange).  
Cooking zone and cooking area marking.  
Electronic power control in 17 output levels.

#### Features

Flex function for rectangular cooking areas.  
Cooking sensor function (in use with cooking sensor CA 060 300).  
Professional cooking function.  
Frying sensor function.  
Booster function for pots.  
Booster function for pans.  
Keep warm function.  
Stopwatch.  
Cooking timer for up to 99 minutes.  
Short-term timer.  
Options menu.  
Power management.  
Cooktop-based ventilation control (with suitable hood).  
Home network integration for digital services (Home Connect) wireless via WiFi.  
The use of the Home Connect functionality depends on the Home Connect services, which are not available in every country. For further information please check: [home-connect.com](http://home-connect.com).

#### Safety

Main switch.  
Operation indicator.  
Pot detection.  
Digital 2-step  
Child lock.  
Safety shut-off.

#### Planning notes

Operates with magnetic (induction) iron pots and pans only. For an optimal heat distribution, the use of sandwich bottom cookware is recommended.  
The wok pan WP 400 001 cannot be used with this appliance.  
Appliance must be fixed from underneath.  
Appliance weight: approx. 17. kg

#### Connection

Total connected load 7.4 KW.

#### Characteristics

**Product name/family**  
Cooking zone ceramic

**Construction type**  
Built-in

**Energy input**  
Electric

**Total number of positions that can be used at the same time**  
4

**Type of control setting devices**

**Required niche size for installation (HxWxD)**  
55 x 780-780 x 490-490

**Width of the appliance**  
804

**Dimensions**  
55 x 804 x 520

**Dimensions of the packed product (HxWxD)**  
126 x 953 x 608

**Net weight**  
17.0

**Gross weight**  
18.5

**Residual heat indicator**  
Separate

**Location of control panel**  
Hob front

**Type of external control possibility**

**Basic surface material**  
Ceramic

**Color of surface**  
Black, Stainless steel

**Color of frame**  
Stainless steel

**Approval certificates**  
AENOR, CE

**Length electrical supply cord**  
150

**EAN code**  
4242006292089

**Electrical connection rating**  
7400

**Gas connection rating**

**Fuse protection**

**Voltage**  
220-240

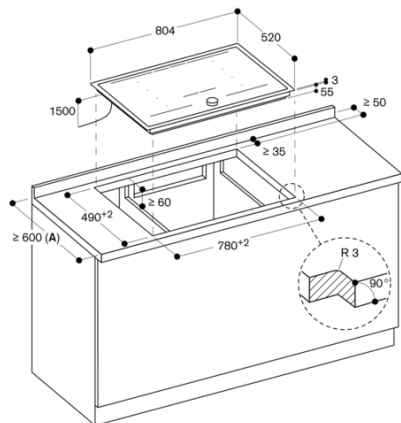
**Frequency**  
50-60

#### Consumption and connection features

2022-06-15

Page 1

Connecting cable 1.5 m without plug.  
Power consumption standby/display off 0.5 W.  
Power consumption standby/network 2.0 W.  
Please check the user manual for how to switch off the WiFi module.



A: Please check the installation manual if the worktop depth is less than 600 mm.  
measurements in mm