



AC250121
Ceiling ventilation 200 series
Width 120 cm
Air extraction / Air recirculation

A⁺

Discreet integration into the architecture of the kitchen
Energy-saving, low-noise fan
Rim extraction
Function for automatic, sensor-controlled power adjustment depending on the build-up of cooking vapours
Easy and time saving installation directly on the ceiling
Easy maintenance of the filters

Output

Air extraction (min/max) according to EN 61591: 265 / 933m³/h.
Noise (min/max): 41 / 70 dB (A) re 1 pW.
Air recirculation (min/max) according to EN 61591:
419 / 637m³/h.
Noise (min/max): 63 / 72 dB (A) re 1 pW.

Features

3 electronically controlled power levels and 1 intensive mode.
Remote control is included in delivery.
Automatic function with sensor-controlled run-on function.
Interval ventilation, 6 min.
Grease filter saturation indicator.
Activated charcoal filter saturation indicator.
Metal grease filter, dishwasher-safe.
Massive aluminium anodized Gaggenau Light Bronze filter cover.
Fan technology with highly efficient, brushless DC motor (BLDC).
Turnable blower, air outlet on all four sides possible.
Connecting pipe DW 150 round.
Cooktop-based ventilation control (with suitable cooktop).
Home network integration for digital services (Home Connect) wireless via WiFi.
The use of the Home Connect functionality depends on the Home Connect services, which are not available in every country. For further information please check: home-connect.com.

Performance

For installation in suspended ceiling. The ceiling ventilation has to be handled as a room ventilation when distance to cooktop is larger than 120 cm since the direct capture of vapours will be limited. The needed airflow is given by an air exchange rate of 10 to 12 times the room volume.
A suitable load-bearing substructure is required for securing the extractor hood. Never fit the appliance directly onto plasterboard or similar lightweight construction materials.
Recommended minimum gap between appliance and external filter module: 100 cm.
For air recirculation an external filter module is required.
Clearance above electric appliances min. 65 cm.
Air recirculation is not recommended in combination with Vario electric grill.
Please ensure when installing the exhaust air ducting that no sharp bends are caused and that the cross-section of the ducting is not constricted in any way.

Characteristics

Product name/family
Color chimney
Typology
Island/Ceiling
Length electrical supply cord
130
Min. required niche size for installation (HxWxD)
299mm x 1188.0mm x 487mm
Height of the chimney
Height of product, without chimney
Minimum distance above an electric hob
650
Minimum distance above a gas hob
650
Net weight
24.7
Type of control
Electronic
Number of speed settings
Maximum output air extraction
459
Boost position output recirculating
637.0
Maximum output recirculating air
419
Boost position air extraction
933
Number of lights
0
Noise level
56
Diameter of air outlet
150
Grease filter material
Washable stainless steel
EAN code
4242006280901
Connection Rating
250
Fuse protection
Voltage
220-240
Frequency
60; 50
Plug type
Gardy plug w/ earthing
Installation typology
Island
Included accessories

Consumption and connection features

2022-11-24
Page 1

When installing a ventilation hood with air extraction mode and a chimney-vented fireplace, the power supply line of the ventilation appliance needs a suitable safety switch.
Appliance weight: approx. 25. kg

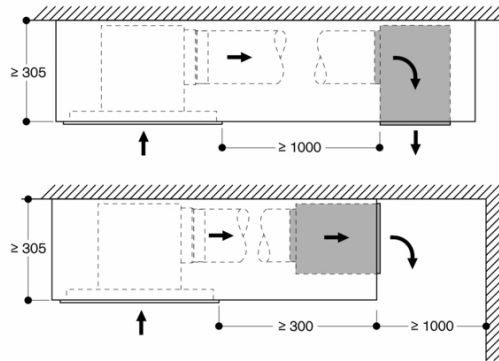
Connection

Total connected load 250 W.
Connecting cable 1.3 m with plug.
Power consumption standby/display off 0.5 W.
Please check the user manual for how to switch off the WiFi module.

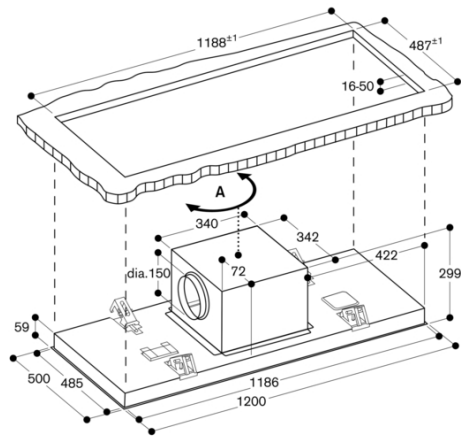
Color Variants

AC250121
Width 120 cm
Air extraction / Air recirculation

AC 250 with air recirculation module



measurements in mm



A: The ventilator outlet can be turned in all four directions.
measurements in mm