



BS475102
Combi-steam oven 400 series
Full glass door in Gaggenau Anthracite
Width 60 cm
left-hinged
Controls at the bottom



Handleless door / automatic door opening
 Fixed inlet and outlet water connection
 Cleaning system, fully automatic
 Large cavity
 2 LED light sources, perfect illumination on all levels
 External steam generation
 Steaming without pressure
 Hot air 30 °C to 230 °C can be combined with chosen humidity level of 0%, 30%, 60%, 80% or 100%
 Sous-vide cooking with accurate temperature regulation
 Full surface grill behind glass ceramic, combinable with circulated air up to 230 °C and steam
 Automatic programmes
 Core temperature probe with estimation of cooking time
 Hot air fan rotates in both directions for ideal heat distribution
 TFT touch display
 Panel-free appliance with surface control module
 Electronic temperature control from 30 °C to 230 °C
 Net volume 50 litres

Heating methods
 Hot air + 100 % humidity.
 Hot air + 80 % humidity. Hot air + 60 % humidity. Hot air + 30 % humidity. Hot air + 0 % humidity. Low temperature cooking. Sous-vide cooking. Full surface grill level 1 + humidity. Full surface grill level 2 + humidity. Full surface grill + circulated air. Dough proofing. Defrosting. Regenerating.

Capacity
 Automatic door opening.
 Rotary knob and TFT touch display operation.
 Clear text display.
 Option to save individual recipes (incl. core temperature probe).
 Personalisation of automatic programmes.
 Information key with use indicators.
 Side-opening door opens up to 180° angle.

Features
 Full surface grill 2000 W behind glass ceramic.
 Steam removal.
 Misting function, injects additional steam into the cavity
 Three-point core temperature probe with automatic shut-off and estimation of cooking time.
 Automatic programmes.
 Actual temperature display.
 Automatic boiling point detection.
 2 x LED light on the side.
 Hygienic stainless steel cooking interior.
 3 tray levels.
 Home network integration for digital services (Home Connect) either via cable connection LAN or wireless via WiFi.
 The use of the Home Connect functionality depends on the Home Connect services, which are not available in every country. For further information please check: home-connect.com.

Safety
 Child lock.

Characteristics
Color / Material Front
 Anthracite
Built-in / Free-standing
 Built-in
Door opening
 Lateral
Integrated Cleaning system
 No
Control Panel Material
 without panel
Door Material
 Glass
Dimensions
 455 x 590 x 540
Dimensions of the packed product (HxWxD)
 590 x 660 x 700
Min. required niche size for installation (HxWxD)
 450-450 x 560-560 x 550
Cavity dimensions
 246 x 501 x 406
Usable volume (of cavity) - NEW (2010/30/EC)
 50
Number of interior lights
 2
Net weight
 46.6
Gross weight
 48.9
EAN code
 4242006293420
Connection Rating
 3150
Fuse protection
 16
Voltage
 220-240
Frequency
 50
Length electrical supply cord
 175

Consumption and connection features
 2022-11-15
 Page 1

Safety shut-off.
 Cooled housing with temperature protection.

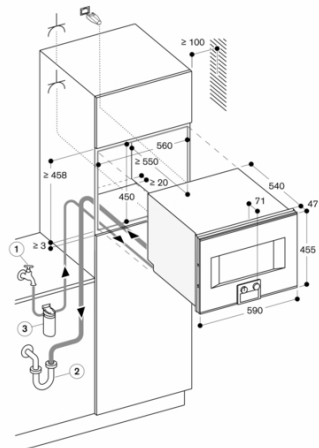
Cleaning
 Cleaning programme, fully automatic.
 Descaling programme for the steam generator.
 Drying program.
 Automatic drying of the cavity at the end of the cooking process.
 Strainer filter, removable.

Performance
 Door hinge not reversible.
 No other electrical appliances should be installed above the BS.
 At no point may the outlet hose be positioned higher than the bottom edge of the appliance. The outlet hose must also be at least 100 mm lower than the appliance outlet (see drawing "drainage connection").
 Inlet hose can be extended once.
 The outlet hose must not be longer than a maximum of 5 m.
 The water connection for the inlet hose must always be accessible and not located directly behind the appliance.
 The connection of the outlet hose to the siphon must not be directly behind the appliance and should be accessible.
 The façade of the appliance extends 47 mm from the furniture cavity.
 Consider the overhang when planning to open drawers next to the appliance.
 When planning a corner solution, pay attention to the 90° door opening angle.
 The mains socket needs to be planned outside the built-in niche.

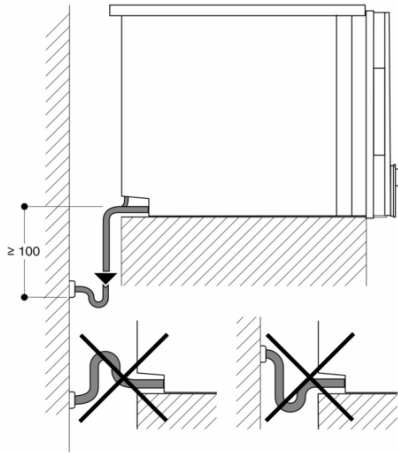
Connection
 Total connected load 3.1 KW.
 Only cold water connection.
 Inlet hose 3.0 m with 3/4" (26,4 mm) connection, extendable.
 Outlet hose (ø 24 mm) 3.0 m (HT-Hose).
 Connecting cable 1.8 m with plug.
 Plan a LAN cable.
 Power consumption standby/display on 0.8 W.
 Power consumption standby/display off 0.5 W.
 Power consumption standby/network 1.8 W.
 Time auto-standby/display on 20 min.
 Time auto-standby/display off 20 min.
 Time auto-standby/network 20 min.
 Please check the user manual for how to switch off the WiFi module.

BS475102
 Combi-steam oven 400 series
 Full glass door in Gaggenau Anthracite
 Width 60 cm
 left-hinged
 Controls at the bottom

2022-11-15
 Page 2

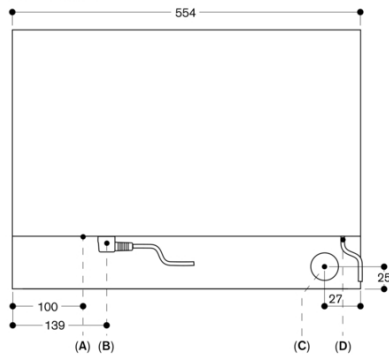


Socket
 measurements in mm



measurements in mm

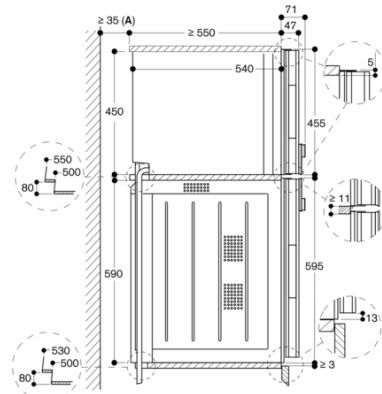
View from rear



- A: LAN connection
- B: Electric terminal box
- C: Water outlet
- D: Cold water inlet

measurements in mm

Side view of BS 474/475 above BO



A: Only required if the water hoses for the BS steam oven cannot be accommodated in the corner recesses of the appliances.
 measurements in mm