



DF210500
Dishwasher 200 series
Fully integrated
Height 81.5 cm

6 programmes with aqua sensor and 3 options, such as Power to reduce the cycle time and Intensive for particularly thorough cleaning in the lower basket
 Flexible basket system
 Bright interior lighting
 Very quiet: 40 dB

Handling
 TFT display indicating remaining or end time, refill for salt and rinsing agent, inflow of water.
 Touch key operation.
 Flexible cycle time reduction, even during an active cycle.
 Personalisation function for storing individual combinations of programs.
 Temporary noise reduction (only available with active Home Connect functionality).
 Information key with use indications.
 Time delay up to 24 hours.
 Visual and acoustic end of programme indicator.
 Info-Light.

Technical Features
 Bright interior lighting.
 Glass protection.
 Aqua sensor.
 Load sensor.
 Automatic detergent function.
 Heat exchanger.
 Continuous flow heater.
 Triple filter system.
 Soft lock.
 Aqua stop.
 Home network integration for digital services (Home Connect) wireless via WiFi.
 The use of the Home Connect functionality depends on the Home Connect services, which are not available in every country. For further information please check: home-connect.com.

Programmes
 6 programmes:
 Auto 35 °C - 45 °C.
 Auto 45 °C - 65 °C.
 Auto 65 °C - 75 °C.
 Eco 45 °C.
 Quick wash 45 °C (29 min.).
 Personalisation function (default setting: Pre-rinse).
 3 options:
 Intensive.
 Power.
 Extra Dry.

Features
 Flexible basket system.
 Cutlery drawer.
 Upper basket:
 Over extension.
 Optional extra cleaning area by activating additional spray nozzles.
 Rackmatic with 3 levels, adjustable in height up to 5 cm.
 6 folding spines.
 4 folding racks for optimal protection of glass.
 Lower basket:
 8 folding spines.
 2 folding racks for optimal protection of glass.
 Dividable glass support.
 Cutlery basket.
 15 place setting capacity.

Consumption data

Characteristics
Water consumption (l)
 11.0
Built-in / Free-standing
 Built-in
Height of removable worktop (mm)
 0
Dimensions of the product (HxWxD)
 815 x 598 x 550
Required niche size for installation (HxWxD)
 815-875 x 600 x 550
Depth with open door 90 degree (mm)
 1150
Adjustable feet
 Yes - all from front
Maximum adjustability feet (mm)
 60
Adjustable plinth
Net weight (kg)
 43.336
Gross weight (kg)
 45.5
Connection Rating (W)
 2400
Current (A)
 10
Voltage (V)
 220-240
Frequency (Hz)
 50; 60
Length electrical supply cord (cm)
 175
Plug type
 AU plug
Length inlet hose (cm)
 165
Length outlet hose (cm)
 190
EAN code
 4242006294663
Number of place settings
 15
Energy efficiency rating
Energy consumption annual (kWh/ annum) - NEW (2010/30/EC)
 Energy consumption (kWh)
 0.65
Power consumption in left-on mode (W) - NEW (2010/30/EC)
Power consumption in off-mode (W) - NEW (2010/30/EC)
Water consumption annual (l/annum) - NEW (2010/30/EC)
Drying performance
Reference programme
Total cycle time of reference programme (min)
 195
Noise level (dB)
 40
Installation typology
 Full-integrated

Consumption and connection features

2021-07-07
 Page 1

Noise level 40 dB (re 1 pW).

Planning notes
 Height-adjustable feet.
 Appliance plinth recess 100 mm (see drawing).
 Rear feet adjustable at front.
 Door weight up to 8.5 kg.
 Door panel dimension dependent on plinth height of kitchen furniture.

Connection
 Total connected load 2000-2400 W.
 Connecting cable pluggable.
 Water connection with 3/4" screw joint.
 Connection to hot or cold water possible.
 Power consumption standby/network 2.0 W.

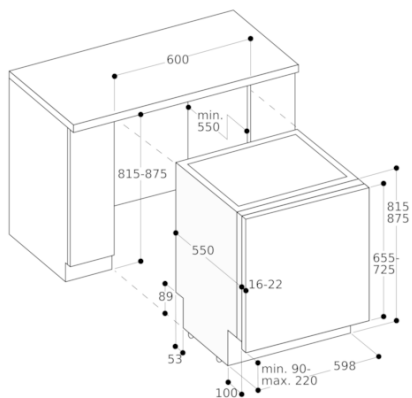
Color Variants
DF210500
Fully integrated
Height 81.5 cm

Included accessories
 1 x baking tray spray head.

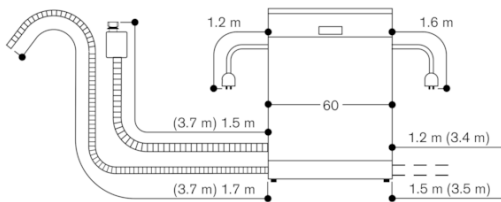
Optional accessories
DA042030
DA043000

Installation Accessories
GH045010
 Handle bar with 2 mounts, stainless steel, Length 45 cm, drilling distance 427 mm

81.5 cm high dishwasher



Connection dimensions for a 60 cm wide dishwasher



() values with extension kit