



DF481100

Dishwasher 400 series

Fully integrated

Height 86.5 cm



Optimal protection for sensitive glassware by low temperature drying with zeolite, elaborated basket design and intelligent water softening
8 programs with aqua sensor and 4 options, such as Power for cleaning and drying dishes in 57 minutes and Intensive for particularly thorough cleaning in the lower basket
Flexible basket system with smooth running rails on all levels and cushioned closing of the upper and lower basket
Perfectly illuminated interior
Push-to-open function for perfect integration into handleless furniture fronts
Remaining time projection onto the kitchen floor
Very quiet: 42 dB

Handling

TFT display indicating remaining or end time, refill for salt and rinsing agent, inflow of water.
Touch key operation.
Flexible cycle time reduction, even during an active cycle.
Personalisation function for storing individual combinations of programs.
Temporary noise reduction (only available with active Home Connect functionality).
Information key with use indicators.
Time delay up to 24 hours.
Visual and acoustic end of programme indicator.
Remaining time projection.

Technical Features

Perfectly illuminated interior.
Glass protection with zeolite.
Aqua sensor.
Load sensor.
Automatic detergent function.
Regeneration electronics.
Heat exchanger.
Continuous flow heater.
Triple filter system.
Soft lock.
Aqua stop.
Home network integration for digital services (Home Connect) wireless via WiFi.
The use of the Home Connect functionality depends on the Home Connect services, which are not available in every country. For further information please check: home-connect.com.

Programmes

8 programmes:
Auto 35 °C - 45 °C.
Auto 45 °C - 65 °C.
Auto 65 °C - 75 °C.
Intensive 70 °C.
Eco 50 °C.
Night programme.
Quick wash 45 °C (29 min.).
Personalisation function (default setting: Pre-rinse).
4 options:
Intensive.
Power.
Half Load.
Hygiene.
Machine Care.

Features

Flexible basket system with smooth running rails on all levels and cushioned closing of the upper and lower basket.

Characteristics

Energy Efficiency Class (Regulation (EU) 2017/1369)
C

Energy Consumption for 100 cycles Eco Programme (EU 2017/1369)
73

Maximum number of place settings (EU 2017/1369)
12

The water consumption of the eco programme in liters per cycle (EU 2017/1369)
9.5

Programme duration (EU 2017/1369)
3:55

Airborne acoustical noise emissions (EU 2017/1369)
42

Airborne acoustical noise emission class (EU 2017/1369)
B

Built-in / Free-standing
Built-in

Height of removable worktop (mm)
0

Dimensions of the product (HxWxD)
865 x 598 x 550

Required niche size for installation (HxWxD)
865-925 x 600 x 550

Approval certificates
CE, VDE

Depth with open door 90 degree (mm)
1200

Adjustable feet
Yes - all from front

Maximum adjustability feet (mm)
60

Adjustable plinth
Net weight (kg)

52.767

Gross weight (kg)
55.0

Connection Rating (W)
2400

Current (A)
10

Voltage (V)
220-240

Frequency (Hz)
50; 60

Length electrical supply cord (cm)
175

Plug type
Gardy plug w/ earthing

Length inlet hose (cm)
165

Length outlet hose (cm)
190

EAN code
4242006297060

Installation typology
Full-integrated

Consumption and connection features

2021-07-14
Page 1

Upper basket:

Over extension.
Optional extra cleaning area by activating additional spray nozzles.
Rackmatic with 3 levels, adjustable in height up to 5 cm.
6 folding spines.
4 folding racks for optimal protection of glass.
Lower basket:
8 folding spines.
2 folding racks for optimal protection of glass.
Dividable glass support.
Cutlery basket.
Maximum dish sizes (upper/lower basket)
29/28, 26.5/30.5 or 24/34 cm respectively.
12 place setting capacity.
Maximum glass loading capacity 23 wine glasses.

Consumption data

9.7 l water consumption per wash.
From 0.8 kWh.
Noise level 42 dB (re 1 pW).

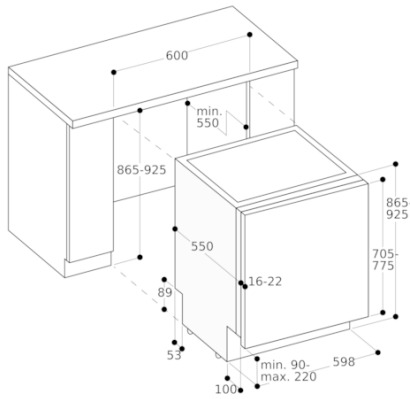
Planning notes

Height-adjustable feet.
Appliance plinth recess 100 mm (see drawing).
To display the remaining time projection, a minimum plinth protrusion is required (40 mm + thickness of the furniture front).
The maximum plinth height must be reduced by 30 mm to provide an optimal display of the remaining time projection.
Rear feet adjustable at front.
Door weight up to 10 kg.
Door panel dimension dependent on plinth height of kitchen furniture.
Installation and usage also with furniture handle possible. The push-to-open function remains active.

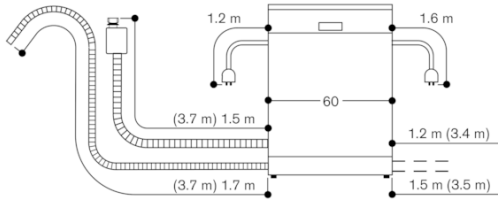
Connection

Total connected load 2000-2400 W.
Connecting cable pluggable.
Water connection with 3/4 " screw joint.
Connection to hot or cold water possible.
Power consumption standby/network 2.0 W.
Power consumption left-on-mode 0.5 W.
Power consumption off-mode 0.5 W.
Time auto-standby/network 2 min.
Left-on-mode duration 0 min.
Please check the user manual for how to switch off the WiFi module.

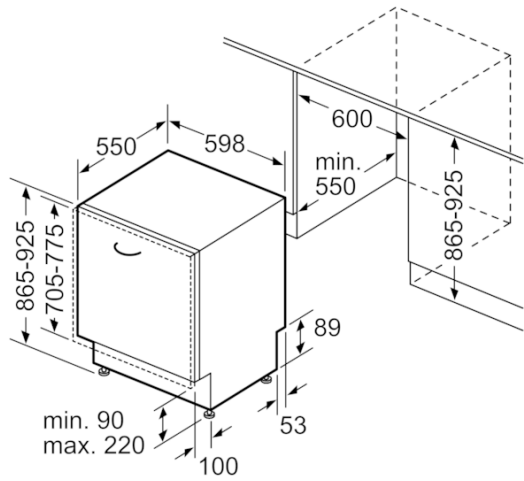
86.5 cm high dishwasher



Connection dimensions for a 60 cm wide dishwasher



() values with extension kit



measurements in mm