



Color Variants

AL400122
stainless steel
Width 120 cm

AL400122
Table ventilation 400 series
stainless steel
Width 120 cm
Air extraction / Air recirculation
Motorless

Extendable table ventilation, when not in use can be completely lowered into the worktop
Dimmable, neutral white surface LED light for ideal illumination of the whole cooktop
Precision crafting of 3 mm stainless steel
For surface mounting with a visible edge or for flush mounting
Motorless, can be combined with Gaggenau BLDC remote fan units

Features

3 electronically controlled power levels and 1 intensive mode.
Interval ventilation, 6 min.
Run-on function, 6 min.
Grease filter saturation indicator.
2 large-scale metal grease filters included, easy to remove, dishwasher-safe.
Neutral white surface LED light (3600 K), continuously dimmable.
Lamp output 4 x LED light bars 10W.
Illuminance 400 lx.

Performance

Air recirculation is not recommended in combination with Vario electric grill.
Operation of Vario cooking appliances only possible without appliance cover.
Max. output of cooktops 18 kW.
The bearing capacity and stability, in the case of thin worktops in particular, must be supported using suitable substructures. Take into account the appliance weight and additional loads.
The remaining surface of the worktop (min. 50 mm) between the cut-outs must be reinforced with a support. It is recommended to use furniture support AA 409 401/431.
Additional instructions for flush mounting:
Installation is possible in worktops made of stone, synthetics or solid wood. Heat resistance and watertight sealing of the cut edges must be observed. Concerning other materials please consult the worktop manufacturer.
When installing a ventilation hood with air extraction mode and a chimney-vented fireplace, the power supply line of the ventilation appliance needs a suitable safety switch.

Connection

Total connected load 65 W.
Connecting cable 1.7 m with plug.
Network cable 1.2 m.

Characteristics

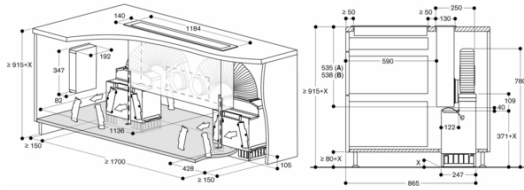
Product name/family
Color chimney
Typology
Downdraft
Length electrical supply cord
170
Min. required niche size for installation (HxWxD)
540mm x 1140.0mm x 125mm
Height of the chimney
Height of product, without chimney
540
Minimum distance above an electric hob
Minimum distance above a gas hob
Net weight
40.7
Type of control
Electronic
Number of speed settings
Maximum output air extraction
1020
Boost position output recirculating
Maximum output recirculating air
580
Boost position air extraction
1140
Number of lights
4
Noise level
Diameter of air outlet
Grease filter material
Washable stainless steel
EAN code
4242006298937
Connection Rating
65
Fuse protection
10
Voltage
230
Frequency
50; 60
Plug type
Gardy plug w/ earthing, GB plug
Installation typology
Built-in
Included accessories

Consumption and connection features

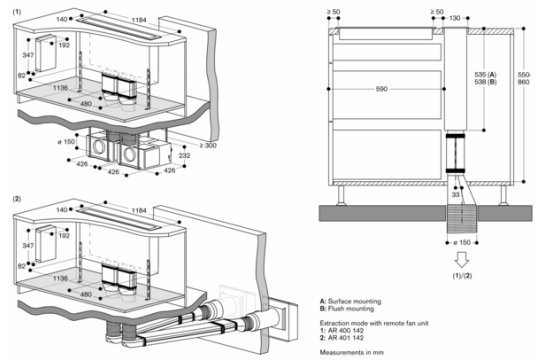
2022-11-29
Page 1

AL400122
 Table ventilation 400 series
 stainless steel
 Width 120 cm
 Air extraction / Air recirculation
 Motorless

2022-11-29
 Page 2

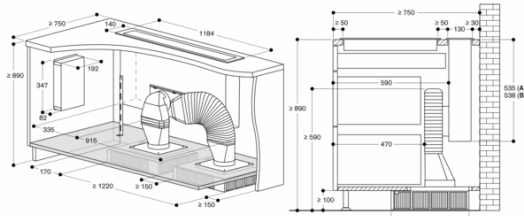
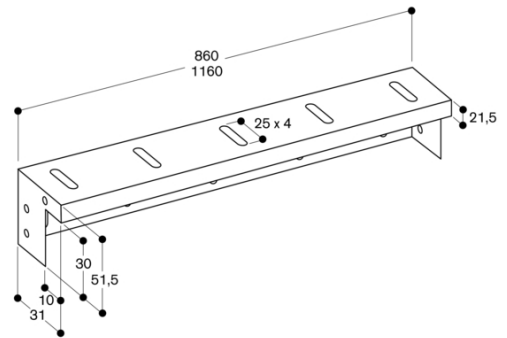


A: Surface mounting
 B: Flush mounting
 Measurements in mm

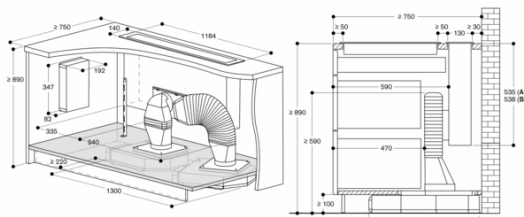


A: Surface mounting
 B: Flush mounting
 Extraction mode with remote fan unit
 1: AB 400 142
 2: AR 401 142
 Measurements in mm

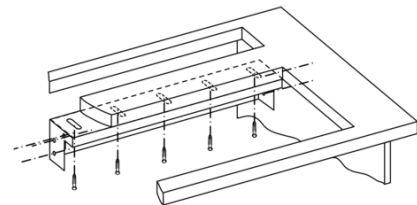
AA 409 401/431 furniture support



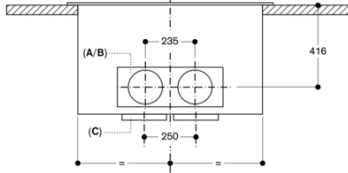
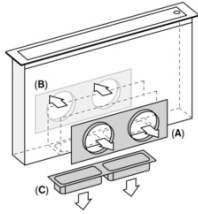
A: Surface mounting
 B: Flush mounting
 Measurements in mm



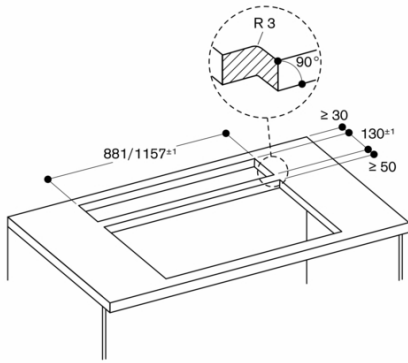
A: Surface mounting
 B: Flush mounting
 Measurements in mm



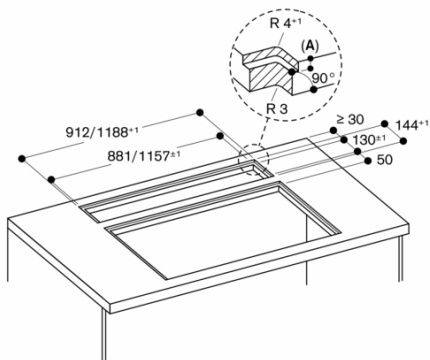
AL400122
 Table ventilation 400 series
 stainless steel
 Width 120 cm
 Air extraction / Air recirculation
 Motorless
 2022-11-29
 Page 3



A: Connection at the front with AD 754 049
 B: Connection at the back with AD 754 049
 C: Connection at the bottom with AD 854 050
 Measurements in mm

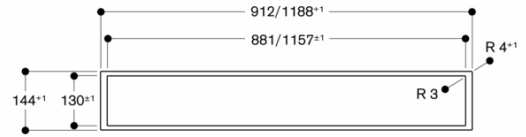


Measurements in mm



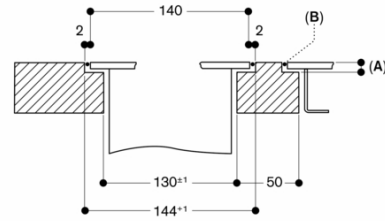
A: 3.5^{±0.5} mm
 Measurements in mm

View from above



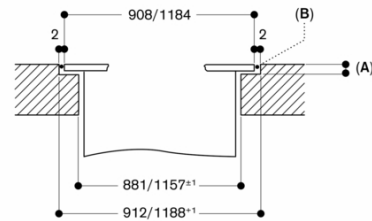
Measurements in mm

Cross section



A: 3.5^{±0.5} mm
 B: Fill with silicone
 Measurements in mm

Longitudinal section



A: 3.5^{±0.5} mm
 B: Fill with silicone
 Measurements in mm