

#### Color Variants

VG231220AU  
Black control panel  
Width 28 cm

#### Included accessories

1 x WOK attachment ring.

#### Optional accessories

VD200020  
Black appliance cover  
WP400001  
Wok pan made of multiple-layer material

#### Installation Accessories

VV200010  
Stainless steel connection strip for combination with further Vario cooktops  
VV200020  
Black connection strip for combination with other Vario appliances of the 200 series

#### VG231220AU

Vario gas wok 200 series

Black control panel

Width 28 cm

Natural gas 10 mbar

Nozzles for liquid gas included

Wok burner with up to 5 KW

Can be combined with the cooktops of the Vario 200 series to a harmonic unity

Control panel for comfortable and secure operation

Mechanical power level regulation for 9 power levels, with exact setting and reproduction of flame size

Multi-ring burner of solid, heat-resistant brass as used in professional kitchen

Total output up to 5 KW

#### Cooking zones

1 multi-ring wok burner (300 W – 5000 W), suitable for pots up to max. ø 30 cm.

#### Handling

Control knobs with illuminated ring.

Integrated control panel.

One-handed operation.

Electric ignition.

To close the cover, the cast iron pan support can be easily reversed.

#### Features

Cast iron pan support.

Brass burner rings.

#### Safety

Thermoelectric safety pilot.

Residual heat indication.

Operation indicator.

#### Planning notes

Appliance can be snapped into the worktop from above.

A minimum clearance of at least 150 mm from adjacent heat-sensitive furniture or contact surfaces must be observed or thermal insulation fitted.

With a total connected load of more than 11 kW local regulations concerning room ventilation, room size and combination of extraction or recirculation hoods must be observed. Minimum clearance between gas cooktop(s) with more than 11 kW and ventilation hood 70 cm.

Appliance weight: approx. 10 kg.

#### Connection

Total connected load gas 5.0 kW.

Total connected load electric 10.0 W.

Connecting cable 1.7 m with plug.

#### Characteristics

Product name/family

Vario/Domino gas hob w control

Built-in / Free-standing

CONSTR\_TYPE.Built-in

Energy input

Gas

Total number of positions that can be used at the same time

1

Required niche size for installation (HxWxD)

106 x 268 x 492

Width of the product (mm)

288

Dimensions of the product (mm)

106 x 288 x 512

Dimensions of the packed product (HxWxD) (mm)

260 x 400 x 600

Net weight (kg)

10.013

Gross weight (kg)

11.2

Residual heat indicator

Location of control panel

Basic surface material

brushed stainless steel

Color of surface

Stainless steel

Color of frame

Stainless steel

Approval certificates

Australia Standards, Australia Standards

Length electrical supply cord (cm)

170

#### Consumption and connection features

Electrical connection rating (W)

10

Gas connection rating (W)

5000

Current (A)

10

Voltage (V)

220-240

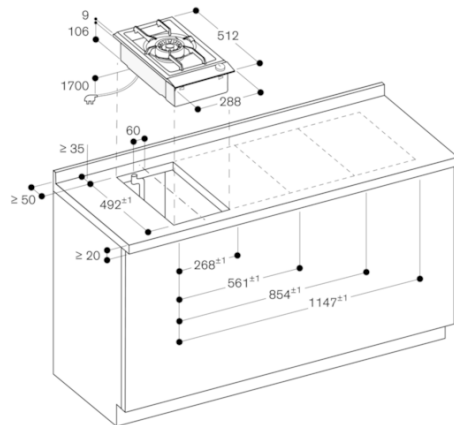
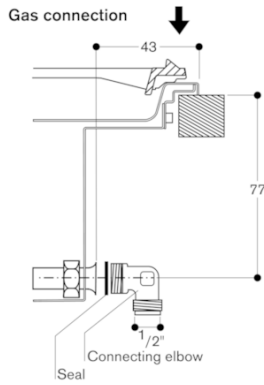
Frequency (Hz)

60; 50

2020-02-03

Page 1

VG231220AU  
Vario gas wok 200 series  
Black control panel  
Width 28 cm  
Natural gas 10 mbar  
Nozzles for liquid gas included  
Wok burner with up to 5 KW  
2020-02-03  
Page 2



Minimum distance from the appliance cut-out to the side wall 150 mm.  
measurements in mm