



VG295250AU
Gas cooktop 200 series
Width 90 cm
Natural gas 10 mbar
Wok burner with up to 5 KW

Control panel for comfortable and secure operation
Mechanical power level regulation for 9 power levels, with exact setting and reproduction of flame size
Multi-ring burner of solid, heat-resistant brass as used in professional kitchen
Solid smooth-surface cast iron pan supports
Up to 17 kW on 5 burners

Cooking zones

1 multi-ring wok burner (300 W – 5000 W), suitable for pots up to max. ø 32 cm.
2 two-ring high output burners (170 W – 4000 W), suitable for pots up to max. ø 28 cm.
2 two-ring standard burners (170 W – 2000 W), suitable for pots up to max. ø 24 cm.

Handling

Control knobs with illuminated ring.
Integrated control panel.
One-handed operation.
Electric ignition.

Features

Three-part cast iron pan support with flat, continuous pot surface.
Brass burner rings.

Safety

Thermoelectric safety pilot.
Residual heat indication.
Operation indicator.

Planning notes

No intermediate shelf required.
Appliance can be snapped into the worktop from above.
Rear panel and wall trims must be heat-resistant and consist of a non-flammable material.
Installation in a 90 cm wide lower cabinet is required.
A minimum lateral clearance of at least 300 mm from adjacent heat-sensitive furniture or contact surfaces must be observed or thermal insulation fitted.
With a total connected load of more than 11 kW local regulations concerning room ventilation, room size and combination of extraction or recirculation hoods must be observed.
Minimum clearance between gas cooktop(s) with more than 11 kW and ventilation hood 70 cm.
Appliance weight: approx. 29. kg

Connection

Total connected load gas 17.0 KW.
Total connected load electric 10.0 W.
Connecting cable 1.7 m with plug.
Special nozzles (for LPG) can be ordered as spare parts.

Characteristics

Product name/family
gas hob w integrated controls
Built-in / Free-standing
Built-in
Energy input
Total number of positions that can be used at the same time
5
Required niche size for installation (HxWxD)
106 x 885 x 492
Width of the appliance
914
Dimensions
106 x 914 x 510
Dimensions of the packed product (HxWxD) (mm)
290 x 700 x 1010
Net weight (kg)
28.579
Gross weight (kg)
30.9
Residual heat indicator
Location of control panel
Basic surface material
brushed stainless steel
Color of surface
Stainless steel
Color of frame
Stainless steel
Approval certificates
Australia Standards, Australia Standards
Length electrical supply cord (cm)
170

Consumption and connection features

Connection Rating (W)
10
Gas connection rating (W)
17000
Current (A)
10
Voltage (V)
220-240
Frequency (Hz)
50-60
2020-12-03
Page 1

Color Variants

VG295250AU
Width 90 cm
Natural gas 10 mbar

Included accessories

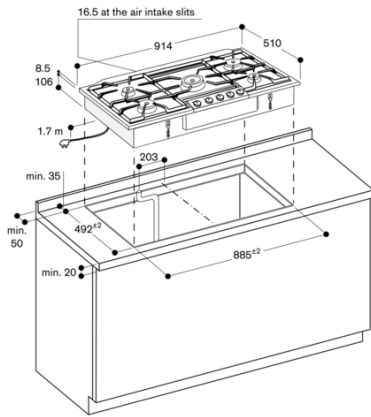
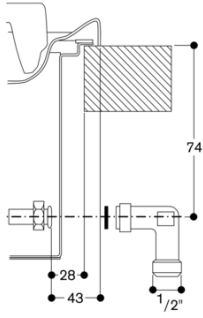
1 x WOK attachment ring.

Optional accessories

WP400001
Wok pan made of multiple-layer material

VG295250AU
Gas cooktop 200 series
Width 90 cm
Natural gas 10 mbar
Wok burner with up to 5 KW
2020-12-03
Page 2

Gas connection



Minimum distance from the appliance cut-out to the side wall 300 mm.