



Gaggenau  
VI414110  
Vario induction wok 400 series

Predecessor:

Successor:

EAN code:  
4242006212445  
sales programme:

## VI414110

**Vario induction wok 400 series**  
**Stainless steel frame**  
**Width 38 cm**

- 28 cm cooking zone with booster function
- Ideal for the original wok pan with round bottom, with wok ring
- Solid stainless steel control knob
- Precision crafting of 3 mm stainless steel
- For surface installation with a visible edge or for flush installation
- Can be combined perfectly with other Vario appliances of the 400 series

### Cooking zones

- 1 induction wok zone  $\varnothing$  18 cm (1800 W, with booster 2500 W), which automatically expands to  $\varnothing$  28 cm (2800 W, with booster 3600 W).

### Handling

- Control knobs with illuminated ring, cooking zone and output level markings.
- Electronic control in 12 output levels.

### Features

- Cooking zone marking.
- Booster function for each cooking zone.
- Pot detection with automatic activation of the outer cooking zone.
- Timer.

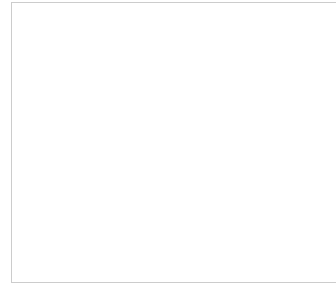
### Safety

- Residual heat indication.
- Safety shut-off.

### Planning notes

- Depending on the type of installation (surface-mounted or flush-mounted, with or without an appliance cover), the specific location of the cut-out and the knob positions may vary.
- If installing with the appliance cover VA 440 or adjustment strip VA 450 take into account the additional space required for the depth.
- If combining several appliances with at least one appliance cover, the adjustment strip VA 450 is required to compensate for the depth of the appliance without the appliance cover.
- If combining several Vario appliances of the 400 series, a connection strip VA 420 must be placed between the appliances. Depending on the type of installation, the corresponding connection strip must be provided.
- In the cut-out, the installation system requires the side edge to be at least 10 mm for surface installation and at least 13 mm for flush installation. Ensure a continuous cut surface of 90°.
- The bearing capacity and stability, in the case of thin worktops in particular, must be supported using suitable substructures. Take into account the appliance weight and additional loads.
- Additional instructions for flush installation:
- Installation is possible in worktops made of stone, synthetics or solid wood. Heat resistance and watertight sealing of the cut edges must be observed. Concerning other materials please consult the worktop manufacturer.
- The groove must be continuous and even, so that uniform placing of the appliance on the gasket is ensured. Do not use discontinuous lining.

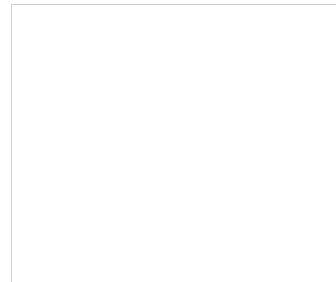
## Included accessories



## Optional accessories

- WZ400001 Wok ring
- WP400001 Wok pan

## Alternative colors available



## Technical Data

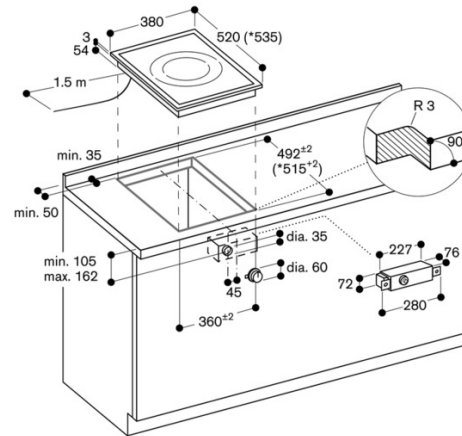
### Characteristics

Product name/family : Vario/Domino  
cooking zone cera  
Built-in / Free-standing :  
CONSTR\_TYPE.Built-in  
Energy input : Electric  
Total number of positions that can be used at the same time : 1  
Required niche size for installation (HxWxD) : 54 x 360 x 490-500  
Width of the product (mm) : 380  
Dimensions of the product (mm) : 57.0 x 380 x 520  
Net weight (kg) : 9.000  
Gross weight (kg) : 10.000  
Color of surface : Black, Stainless steel  
Color of frame : Stainless steel  
Approval certificates : AENOR, CE  
Length electrical supply cord (cm) : 150.0

### Consumption and connection features

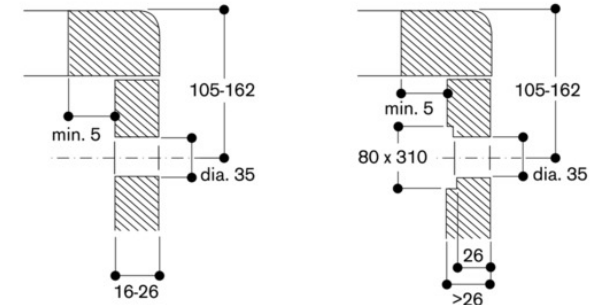
Electrical connection rating (W) : 3600  
Current (A) : 16  
Voltage (V) : 220-240  
Frequency (Hz) : 50; 60

VI414110  
 Vario induction wok 400 series  
 Stainless steel frame  
 Width 38 cm

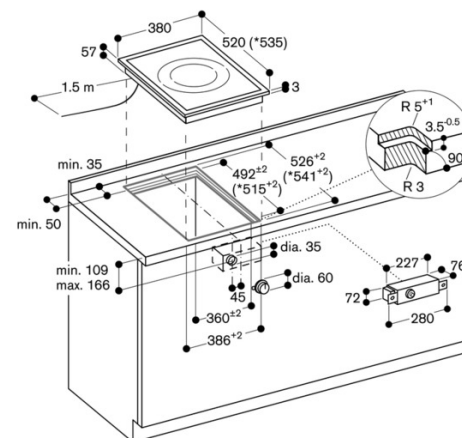
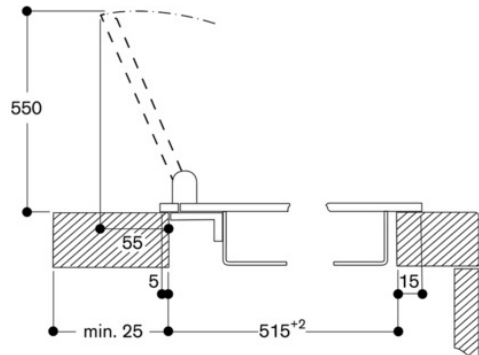


\* with appliance cover or spacer batten  
 See separate planning notes.

Installation of the control knob; installation standing proud of surrounding surfaces

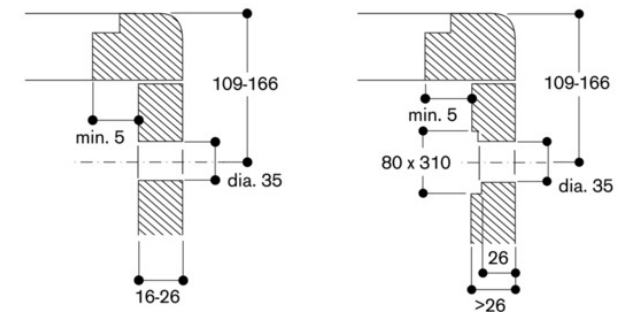


Installation with appliance cover/spacer batten;  
 installation standing proud of surrounding surfaces



\* with appliance cover or spacer batten  
 See separate planning notes.

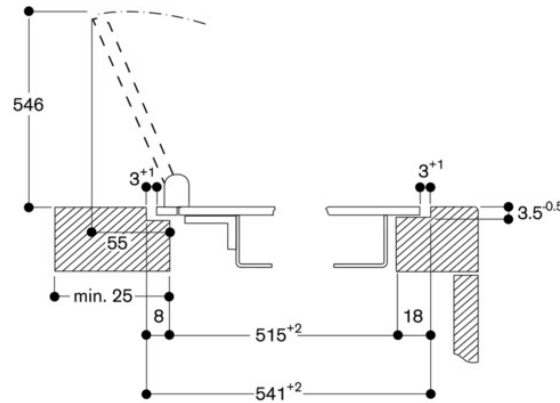
Installation of the control knob; installation flush with surrounding surfaces



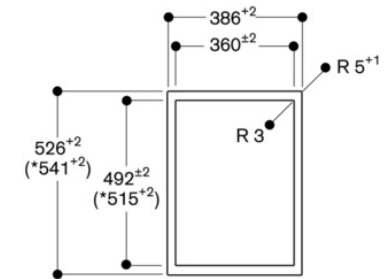
VI414110  
 Vario induction wok 400 series  
 Stainless steel frame  
 Width 38 cm



Installation with appliance cover/spacer batten;  
 installation flush with surrounding surfaces

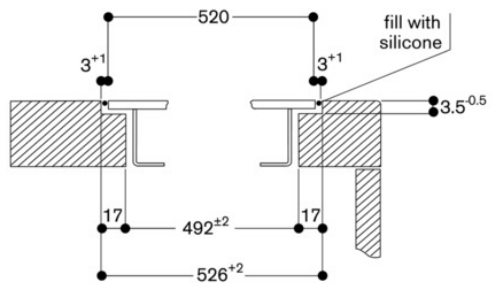


View from above

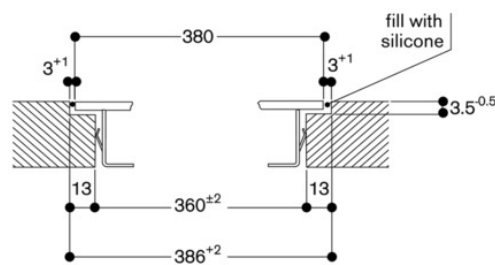


\* with appliance cover or spacer batten  
 (observe the front and rear asymmetrical support,  
 see separate notes "Installation with appliance cover/  
 spacer batten").

Cross-section



Longitudinal section



When installing with appliance cover or spacer batten, pay attention  
 to the deeper cut-out and the front and rear groove width.