

#### Color Variants

VI462113

Stainless steel frame

Width 60 cm

#### Installation Accessories

VA420000

Connection strip for combination with other Vario appliances of the 400 series for flush mounting

VA420010

Connection strip for combination with other Vario appliances of the 400 series for surface mounting

VI462113

Vario flex induction cooktop 400 series

Stainless steel frame

Width 60 cm

Free positioning of cookware inside combined cooking areas with automatic extension up to 30 cm width  
Frying sensor function for temperature control in pans  
Easy control of all functions with bicoloured display  
Solid stainless steel control knob  
Precision crafting of 3 mm stainless steel  
For surface mounting with a visible edge or for flush mounting  
Can be combined perfectly with other Vario appliances of the 400 series

#### Cooking zones

2 flex induction cooking areas with each 19x23 cm (2200 W, with booster 3700 W), linked together 38x23 cm (3300 W, with booster 3700 W), with automatic extension up to 30x30 cm (3300 W, with booster 3700 W).  
2 flex induction cooking areas 19x23 cm (2200 W, with booster 3700 W), linked together 38x23 cm (3300 W, with booster 3700 W).

#### Handling

Control knobs with illuminated ring, cooking zone and output level markings.  
Electronic power control in 12 output levels.  
User friendly control with bicoloured display (white / orange).

#### Features

Flex function for rectangular cooking areas.  
Frying sensor function.  
Booster function.  
Stopwatch.  
Short-term timer.  
Options menu.  
Power management.  
Cooktop-based ventilation control (with suitable hood).  
Home network integration for digital services (Home Connect) wireless via WiFi.  
The use of the Home Connect functionality depends on the Home Connect services, which are not available in every country. For further information please check: home-connect.com.

#### Safety

Operation indicator.  
Pot detection.  
Digital 2-step  
Safety shut-off.

#### Planning notes

Depending on the type of installation (surface-mounted or flush-mounted), the specific location of the cut-out and the knob positions may vary.  
The horizontal positioning of the knobs may be aligned with the specific cooking areas.  
The drawing "Installation of the control knob" must be observed if the panel is more than 23 mm thick (there must be a recess at the rear).  
If combining several Vario appliances of the 400 series, a connection strip VA 420 must be placed between the appliances. Depending on the type of installation, the corresponding connection strip must be provided.

#### Characteristics

Product name/family

Cooking zone ceramic

Construction type

Built-in

Energy input

Electric

Total number of positions that can be used at the same time

4

Type of control setting devices

Required niche size for installation (HxWxD)

57 x 568-570 x 491-493

Width of the appliance

590

Dimensions

57 x 590 x 520

Dimensions of the packed product (HxWxD) (mm)

123 x 875 x 610

Net weight (kg)

17.163

Gross weight (kg)

18.7

Residual heat indicator

Separate

Location of control panel

External control

Type of external control possibility

Basic surface material

Ceramic

Color of surface

Black, Stainless steel

Color of frame

Stainless steel

Approval certificates

AENOR, CE

Length electrical supply cord (cm)

150

EAN code

4242006289812

#### Consumption and connection features

Electrical connection rating (W)

7400

Gas connection rating (W)

Current (A)

2\*16

Voltage (V)

220-240

Frequency (Hz)

50; 60

2020-11-09

Page 1

The bearing capacity and stability, in the case of thin worktops in particular, must be supported using suitable substructures. Take into account the appliance weight and additional loads.  
Additional instructions for flush mounting:

Installation is possible in worktops made of stone, synthetics or solid wood. Heat resistance and watertight sealing of the cut edges must be observed. Concerning other materials please consult the worktop manufacturer.

The groove must be continuous and even, so that uniform placing of the appliance on the gasket is ensured. Do not use discontinuous lining.

The joint width may vary due to size tolerances of the combinations and of the worktop cut-out.

If installing several appliances in individual cut-outs allow for a division bar of minimum 50 mm between the individual cut-outs.

Operates with magnetic (induction) iron pots and pans only. For an optimal heat distribution, the use of sandwich bottom cookware is recommended.

The wok pan WP 400 001 cannot be used with this appliance.

Appliance can be snapped into the worktop from above.

Appliance weight: approx. 17. kg

#### Connection

Total connected load 7.4 KW.

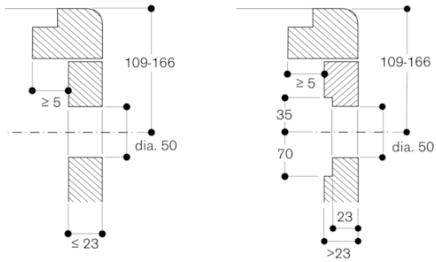
Connecting cable 1.5 m without plug.

Power consumption standby/display off 0.5 W.

Power consumption standby/network 1.7 W.

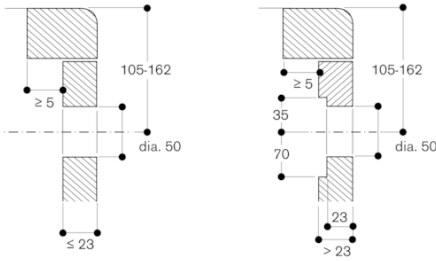
Please check the user manual for how to switch off the WiFi module.

Installation of the control knob; flush installation

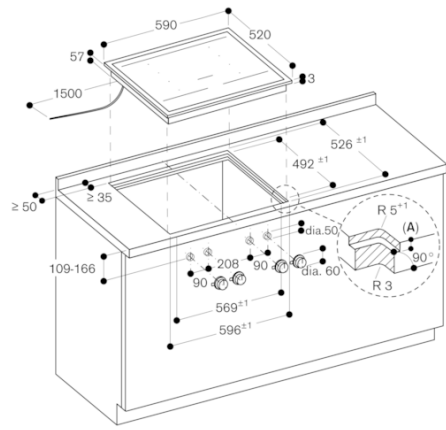


measurements in mm

Installation of the control knob; surface mounting

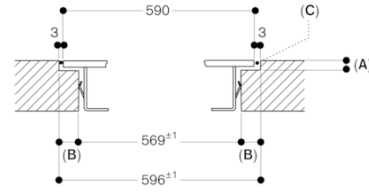


measurements in mm

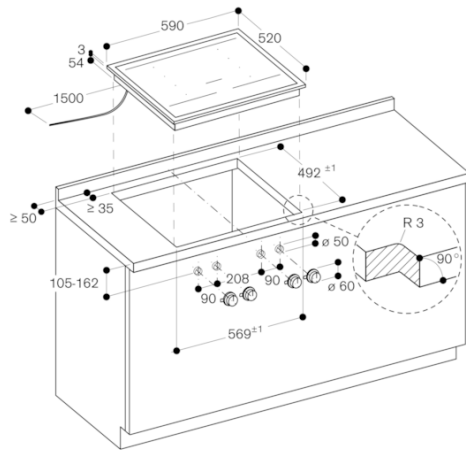


A: 3.5<sup>0.5</sup>  
 measurements in mm

Longitudinal section

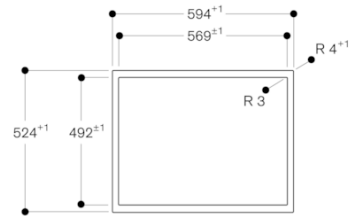


A: 3.5<sup>0.5</sup>  
 B: 13.5  
 C: Fill with silicone  
 measurements in mm



measurements in mm

View from above



measurements in mm