



**VR414111**  
**Vario electric grill 400 series**  
**Stainless steel**  
**Width 38 cm**

Two zones can be operated together or separately  
 Cast pan, half size, for simultaneous frying and grilling on two separate surfaces  
 Open cast grill, lava stones  
 Solid stainless steel control knob  
 Precision crafting of 3 mm stainless steel  
 For surface mounting with a visible edge or for flush mounting  
 Can be combined perfectly with other Vario appliances of the 400 series

**Handling**  
 Control knobs with illuminated ring, cooking zone and output level markings.  
 Electronic control in 12 output levels.

**Features**  
 Cooktop, lava stone trough and grease collecting insert from stainless steel.  
 Two zones, each 1500 W, can be operated together as a complete surface or each half separately.  
 Two-part cast grill.

**Safety**  
 Safety shut-off.  
 Pre-heat and residual heat indicator.

**Planning notes**  
 Depending on the type of installation (surface-mounted or flush-mounted, with or without an appliance cover), the specific location of the cut-out and the knob positions may vary.  
 If combining several Vario appliances of the 400 series, a connection strip VA 420 must be placed between the appliances. Depending on the type of installation, the corresponding connection strip must be provided.  
 The bearing capacity and stability, in the case of thin worktops in particular, must be supported using suitable substructures. Take into account the appliance weight and additional loads. Additional instructions for flush mounting:  
 Installation is possible in worktops made of stone, synthetics or solid wood. Heat resistance and watertight sealing of the cut edges must be observed. Concerning other materials please consult the worktop manufacturer.  
 The groove must be continuous and even, so that uniform placing of the appliance on the gasket is ensured. Do not use discontinuous lining.  
 The joint width may vary due to size tolerances of the combinations and of the worktop cut-out.  
 If installing several appliances in individual cut-outs allow for a division bar of minimum 50 mm between the individual cut-outs.  
 A minimum lateral clearance of at least 100 mm from adjacent heat-sensitive furniture or from the wall must be observed.  
 Appliance can be snapped into the worktop from above.  
 Appliance weight: approx. 26. kg

**Connection**  
 Total connected load 3.0 KW.  
 Connecting cable 1.5 m without plug.

**Characteristics**  
**Product name/family**  
 Vario/Domino barbecue grill  
**Built-in / Free-standing**  
 Built-in  
**Energy input**  
 Electric  
**Type of control**  
 Electronic  
**Grill grating material**  
 Cast iron  
**Required niche size for installation (HxWxD)**  
 118 x 360 x 492  
**Width of the appliance**  
 380  
**Dimensions**  
 118 x 380 x 520  
**Dimensions of the packed product (HxWxD) (mm)**  
 400 x 600 x 460  
**Net weight (kg)**  
 25.779  
**Gross weight (kg)**  
 29.6  
**Residual heat indicator**  
 Separate  
**Location of control panel**  
 Hob front  
**Basic surface material**  
 Cast iron  
**Color of surface**  
 Stainless steel, Stainless steel  
**Color of frame**  
 Stainless steel  
**Approval certificates**  
 Australia Standards, CCC, CE, China, China ROHS 20, Eurasian, G-Mark, Ukraine, VDE  
**Length electrical supply cord (cm)**  
 150

**Consumption and connection features**  
**Connection Rating (W)**  
 3000  
**Gas connection rating (W)**  
 16  
**Voltage (V)**  
 220-240  
**Frequency (Hz)**  
 50-60  
**2020-10-23**  
 Page 1

**Color Variants**

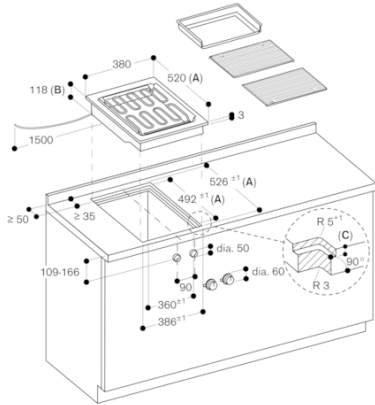
**VR414111**  
**Stainless steel**  
**Width 38 cm**

**Optional accessories**

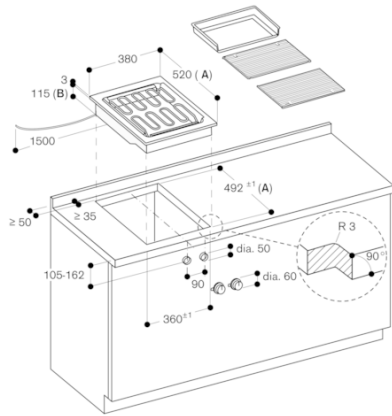
**LV030000**  
**Lava stones for refilling**  
**VA461000**  
**Cast pan, enamelled, half size**

**Installation Accessories**

**VA420000**  
**Connection strip for combination with other Vario appliances of the 400 series for flush mounting**  
**VA420010**  
**Connection strip for combination with other Vario appliances of the 400 series for surface mounting**  
**VA440010**  
**Stainless steel appliance cover with mounting strip**

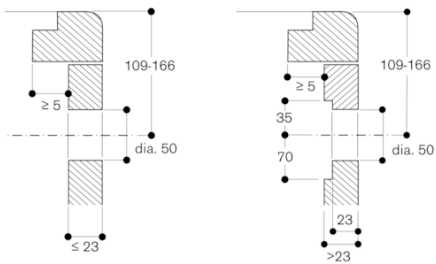


A: When installing with appliance cover, take the deeper cut-out into consideration (observe separate planning notes)  
 B: 133 mm in the area of the cable clamp (left, on the rear side)  
 C: 3.5<sup>0.5</sup>  
 measurements in mm



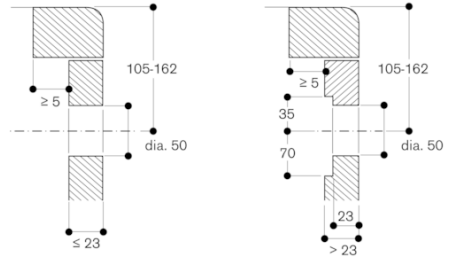
A: When installing with appliance cover, take the deeper cut-out into consideration (observe separate planning notes)  
 B: 130 mm in the area of the cable clamp (left, on the rear side)  
 measurements in mm

Installation of the control knob; flush installation



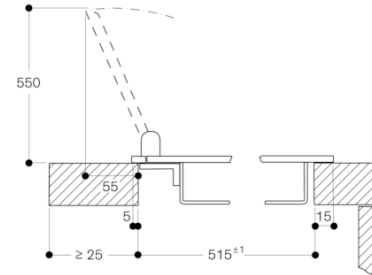
measurements in mm

Installation of the control knob; surface mounting



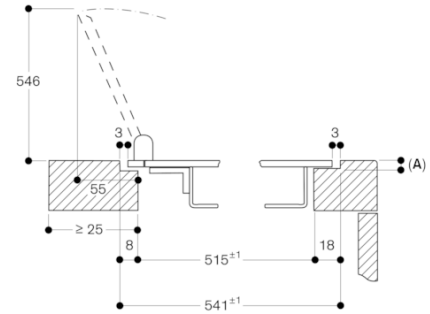
measurements in mm

Installation with appliance cover, surface mounting



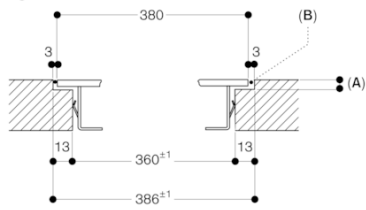
measurements in mm

Installation with appliance cover, flush mounting



A: 3.5<sup>0.5</sup>  
 measurements in mm

Longitudinal section

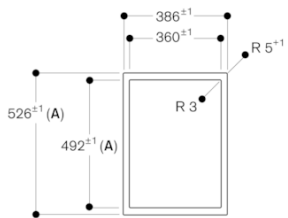


A: 3.5<sup>0.5</sup>

B: Fill with silicone

measurements in mm

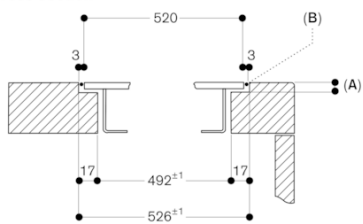
View from above



A: When installing with appliance cover, take the deeper cut-out into consideration (observe separate planning notes)

measurements in mm

Cross-section



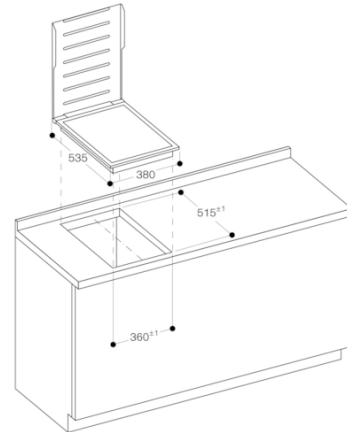
A: 3.5<sup>0.5</sup>

B: Fill with silicone

When installing with appliance cover, pay attention to the deeper cut-out and the front and rear groove width.

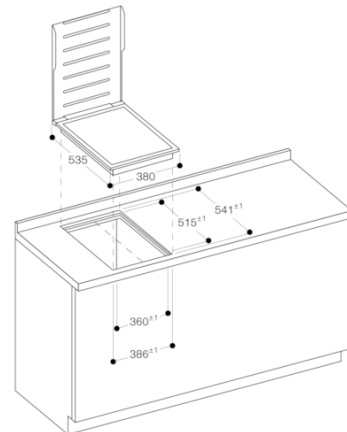
measurements in mm

Installation with appliance cover, surface mounting



measurements in mm

Installation with appliance cover, flush mounting



measurements in mm